

**FV-AL81**

**嵌入式多合一微波氣炸蒸烤焗爐**  
Built-in-All-In-One Oven with Microwave



**優越功能 ADVANCED FUNCTIONS**

**01/ 烹飪功能多合一**  
**All-in-One Essential Cooking Functions**

提升加熱效率，均勻煮食。  
Enhances thermal efficiency for even cooking.



**02/ 雙對流風扇**  
**DUAL CONVECTION FANS**

上下加熱元件可獨立調節，實現精準烹飪控制。  
Separate settings for top and bottom heating elements for precise cooking control.



**03/ 雙溫控**  
**DUAL TEMPERATURE CONTROL**

氣炸鍋和蒸氣炸是無油健康烹飪的選擇。  
Air fry and steam fry options for healthier cooking without oil.



**04/ 自動烹飪菜單**  
**AUTO COOK MENU**

30 種完美烹飪方法—只需輕觸按鈕即可完成。  
30 Ways to Perfect Meals — All at the Touch of a Button.



**05/ 三層玻璃門**  
**TRIPLE LAYERED GLASS DOOR**

有助降低煮食時釋放的熱力。  
Reduces heat from the oven for a cooler surrounding.



**06/ 可拆卸水箱**  
**DETACHABLE WATER TANK**

幾秒鐘內即可加水，不中斷烹調。  
Refill in Seconds, Cook Without Pause.



**07/ 藍色陶瓷塗層**  
**BLUE CERAMIC COATING**

持久、清潔方便、耐用。  
Refined Clean for a Lifetime of Use.





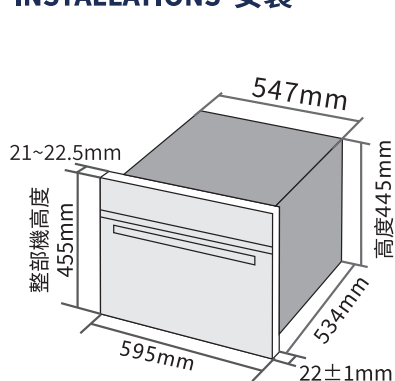
### SPECIFICATIONS 規格

Model Name	型號名稱	FV-AL81
Product size [mm]	產品尺寸[毫米]	W595 x D555 x H455
Weight [kg]	重量[千克]	35
Rated Power Consumption [watts]	額定功率[瓦特]	3200 15A獨立插座 15A single phase connection
Temperature Range [°C]	可調節溫度	50-150 (蒸煮 Steam) 50-250 (烤焗 Bake) 120-230 (氣炸 Air Frying) 80-230 (微波爐 Microwave Oven)
Display	顯示	LED screen
No. of Rack Position	層架的側面滑槽	3
Function	功能	28 *包括輔助 *including auxiliary
Oven Capacity [L]	機內容量[升]	46
Water Tank/ Capacity[ml]	水箱型/ 容量[毫升]	1200
Integrated Cleaning System	整合清潔系統	Steam Clean 蒸氣清潔

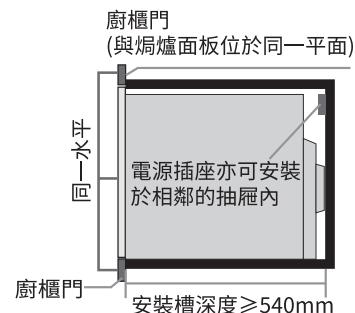
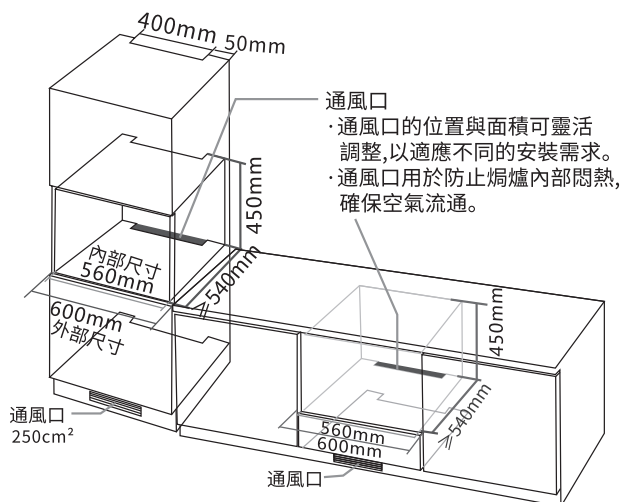
### CUT-OUT DIMENSIONS & REPLACEMENT SIZE [ mm] 開孔和替換尺寸 [毫米]

Cut-out Dimensions 開孔尺寸 W560 x D540 x H450

### INSTALLATIONS 安裝



註: 整部機高度為爐體底部至頂部的最大距離



單位:毫米 unit:mm  
圖示並不是按比例繪畫 Illustration is not drawn to scale

產品圖像僅用於說明,可能與實際產品有所不同。  
Product images are for illustrative purposes only and may differ from the actual product.

介紹短片

