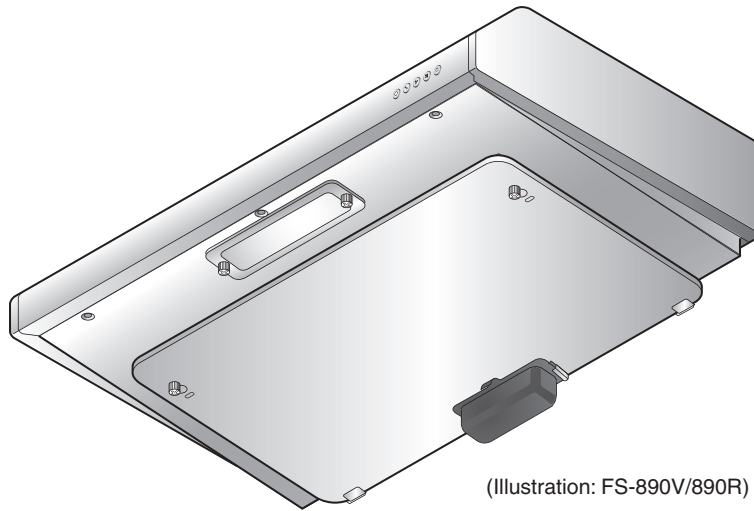


Cooker Hood

FS-700/890V (Ventilating Type)
FS-890R (Recycling Type)

Installation Manual



(Illustration: FS-890V/890R)

TABLE OF CONTENTS

Safety Precautions	2, 3
Preparation	3, 4
Name of Parts	3
Dimensions.....	4
Installation	5~8
Preparation and Check before Mounting..	5, 6
Cooker Hood Mounting	6, 7
Assembly	7, 8
Operation Check.....	8

To the sales shop/installer:
 After installing, please give
 this manual to the user
 without fail.

Thank you very much for your purchase of our cooker hood.

Before installing the cooker hood, please read this Manual thoroughly.

Keep this manual in a convenient place for future reference.



Safety Precautions

- Read the following safety instructions before mounting, and install the cooker hood properly and securely.
- These instructions are for correct installation of the product to prevent any risk of hazards or damages inflicting on you or others. The instructions are classified into 2 categories as "WARNING" and "CAUTION" depending on their emergency and severity. Pay attention and strictly observe the instructions as they are critical for safety.



WARNING

Alerts possible risk of **death** or **serious injury**, if not observed.



CAUTION

Alerts possible risk of **injury** or **physical damage**, if not observed.

Example



⊘ means prohibition. It indicates actions, if any, that mustn't be done.
(Left symbol: Disassembly prohibited)



● means forcible execution. It indicates actions, if any, that must be done.
(Left symbol: Disconnect the plug from the wall outlet)

WARNING



Disassembly, repair, or modification prohibited

- **Never attempt to disassemble, repair, or modify.**
Entrust them to the qualified technician, otherwise fire, electric shock, or abnormal performance may occur.



Using prohibited

- **Don't connect to the power voltage other than 220V/230V/240V AC.**
Fire or electric shock may result in.



Assembly cautioned

- **When passing a metal duct through the wall composed of metal lath, wire lath, or metal board, be careful not to touch these parts electrically.**
Fire or electric shock may result in if leakage current flows.



Assembly cautioned

- **Electric wiring must be made properly by the professional installer or personnel.**
Incorrect wiring may be cause of electric leakage or fire.



Mounting cautioned

- **Mounting work should be done by 2 persons at least.**
The weight of the cooker hood is about 15kg (FS-700V), 17kg (FS-890V, 890R).



Disconnect the plug

- **Be sure to disconnect the power plug from the wall outlet, or switch off the breaker when care and maintenance. Also, don't handle the power plug or breaker with wet hand.**
Electric shock or injury may result in.



Wipe off dust

- **When dust accumulated on the blades of the power plug or on their roots, wipe off well.**
Fire may result in.



Spraying water prohibited

- **Don't spray water on the electric parts.**
Fire or electric shock may result in.



Operation prohibited

- **When there may be a gas leak in your gas hob, don't switch on or off the cooker hood.**
Gas explosion may result in.



Air supply cautioned

- **Choose a mounting location where sufficient air flow is maintained.**
CO poisoning may result if not ventilated adequately while using a natural vent type stove, etc.



Improper discharge prohibited

- **The air must not be discharged into a flue that is used for exhausting fumes from appliances burning gas or other fuels. (Not applicable to appliances that only discharge the air back into the room.)**



Observe regulations

- **Regulations concerning the discharge of air have to be fulfilled.**

CAUTION



Mounting cautioned

- **Mount the product securely after selecting a solid place.**
Dropping may result in injury.



Improper discharge prohibited

- **The air must not be discharged into a flue that is used for exhausting fumes from appliances burning gas or other fuels (not applicable to appliances that only discharge the air back into the room).**



Mounting cautioned

- The minimum distance between the supporting surface for the cooking vessels on the hob and the lowest part of the cooker hood. When the cooker hood is located above a gas appliance, this distance shall be at least 80cm. If the instructions for installation for the gas hob specify a greater distance, this has to be taken into account.



Disconnect by holding the plug

- When disconnecting the power plug, hold the plug itself. Don't pull the cord anyway. The cord may be damaged, and fire or electric shock may result in.



Disconnect the plug

- Be sure to disconnect the power plug from the wall outlet, or switch off the breaker when not using for a long time. Insulation may be deteriorated, and fire or electric shock may result in.



Using prohibited

- Never use the product in a wet place such as bath room, etc. (Use a ventilation fan for bath room.) It may be cause of fire or failure if used.



Assembly cautioned

- Assemble component parts securely. Injury by dropping may result in.



Assembly cautioned

- Ensure that electric wiring is made safely according to the standard or regulations related. Incorrect wiring may result in fire or electrical shock.



Contact prohibited

- Don't touch the filter or parts around it while cooking. The filter or parts may drop, and burn or injury may result in.



Contact prohibited

- During operation, never insert fingers or other objects. Failure or injury may result in.



Contact prohibited

- Don't touch the lamp cover or around it. As it becomes hot, burning may result in.



Operation prohibited

- Switch off the cooker hood at once when oil caught fire while cooking. It's dangerous if not stop as fire is built up.



Prohibited

- Do not put anything on the cooker hood. It may be cause of fire, failure, or injury by dropping.



Wear gloves

- Be sure to wear gloves when care and maintenance. Injury by the sharp edges or corners may result in.

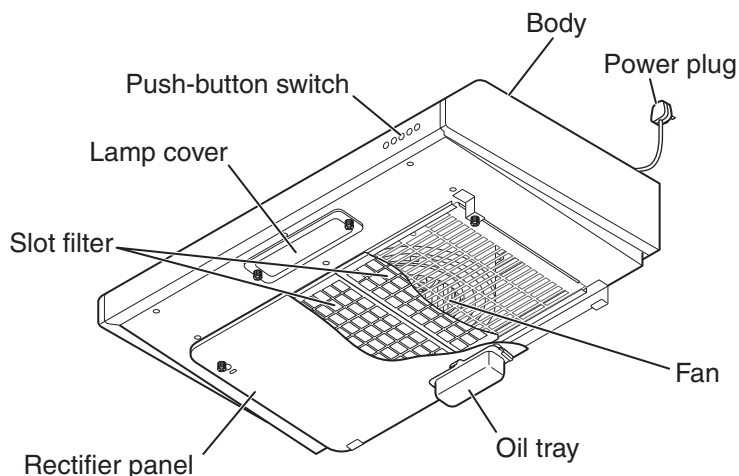


Replace the cord if it's damaged

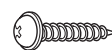
- If the power cord is damaged, it must be replaced by the manufacturer, its service agent or similarly qualified persons in order to avoid a hazard.

■ Preparation

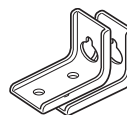
Name of Parts



Accessories

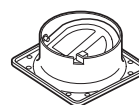


Washer-head wood screw (Ø5.1×45) (4)



Mounting bracket (2)

FS-700/890V only

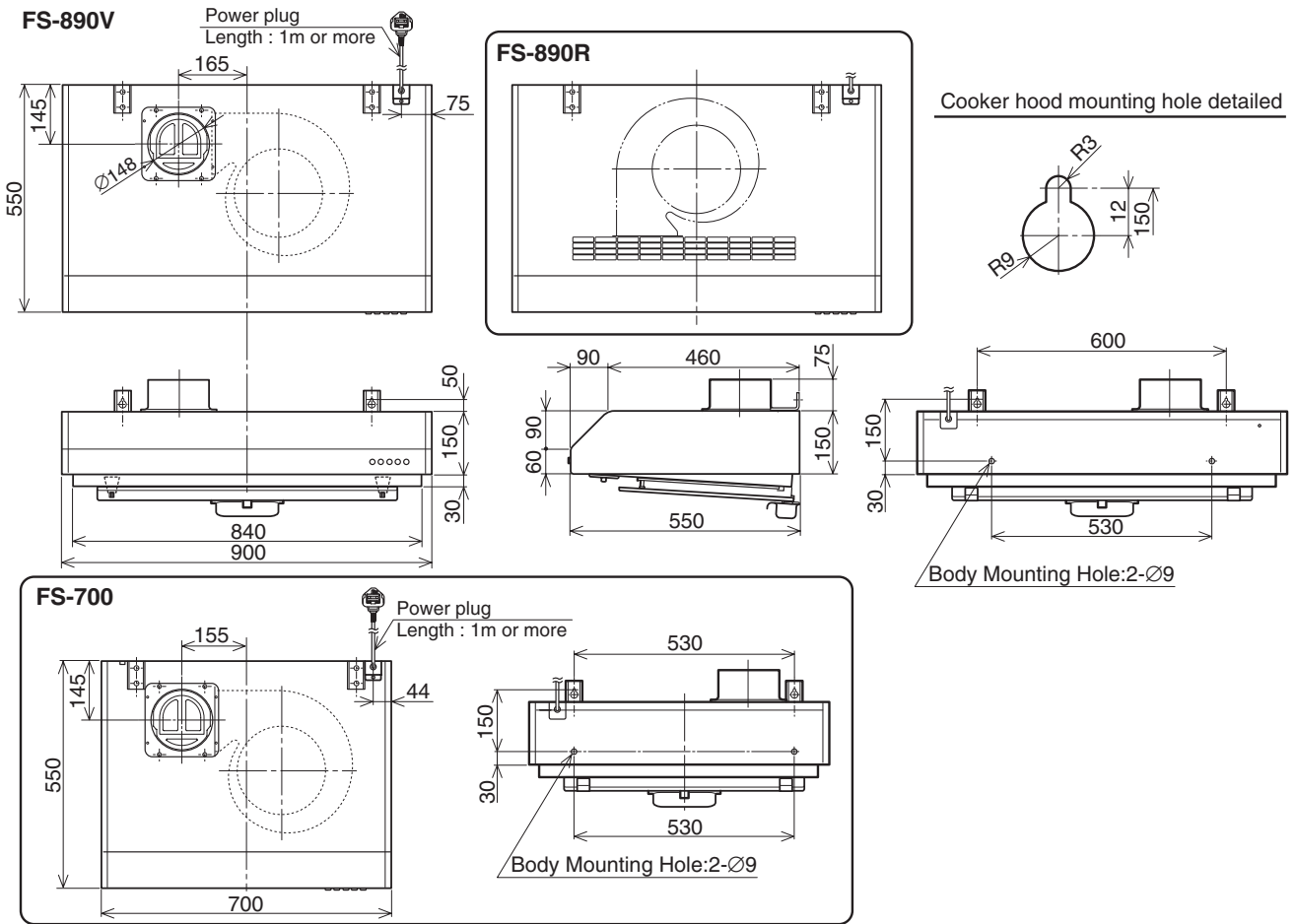


Exhaust port (1)



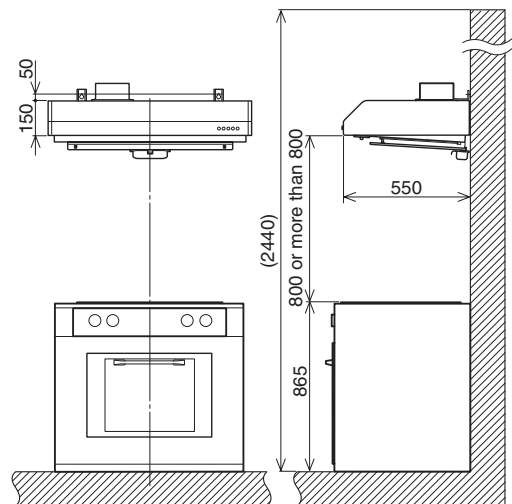
Soft tape (1)

Dimensions (Unit: mm)



Standard Mounting Height (Unit: mm)

Mount the cooker hood at a place where more than 800mm between the top surface of the gas hob and the bottom of the cooker hood. (800mm for optimum performance.)



Installation

Preparation and Check before Mounting

CAUTION

1. Mount the cooker hood carefully and avoid contact with any metal parts (the lath in the wall or the like) of the building.
2. Never embed the body of the cooker hood in the wall. Otherwise, leakage current in the wall, if any, flows to the body of the cooker hood.
3. The air must not be discharged into a flue that is used for exhausting fumes from appliances burning gas or other fuels (not applicable to appliances that only discharge the air back into the room).
4. The minimum distance between the supporting surface for the cooking vessels on the hob and the lowest part of the cooker hood. When the cooker hood is located above a gas appliance, this distance shall be at least 800mm.
If the instructions for installation for the gas hob specify a greater distance, this has to be taken into account.
5. Use a gas range having a narrower width than that of the cooker hood.
6. Avoid using the cooker hood with changes in the specification, for instance, with modifying the switch.
7. Do not install the cooker hood in a wet area or in other wet rooms since it may result in electric shock or damage.
8. Do not install the cooker hood at a place where its ambient temperature exceeds 40°C, otherwise it may result in failure.
9. To protect your hands from injury, wear working gloves when installing the cooker hood.
10. If the power cord is damaged, it must be replaced by the manufacturer or its service agent or a similarly qualified person in order to avoid a hazard.
11. If it's possible to touch the fan when inserting hand from the outer port of the exhaust duct because its length is rather short, take some measures for preventing from inserting hand.

1 Checking mounting surface strength

The mounting surface should have sufficient strength enough to support the cooker hood. Mount the cooker hood on a place durable to support the weight of the cooker hood.
[Weight: 15kg (FS-700V) / 17kg (FS-890V, FS-890R)]

■ In the case of boarded wall

- If the thickness is more than 20mm, mount the cooker hood directly to the wall.
- If the thickness is less than 20mm, embed a reinforcing board and mount the cooker hood to this board.

■ In the case of a concrete/tile faced wall

- Embed a reinforcing board in the wall in advance, or use a curl plug or the like.

2 Power supply plug

The power plug of this cooker hood is 5A 3-pin plug (BF Type: BS1363). Be sure to use the wall outlet only for the cooker hood.

3 Checking accessory parts

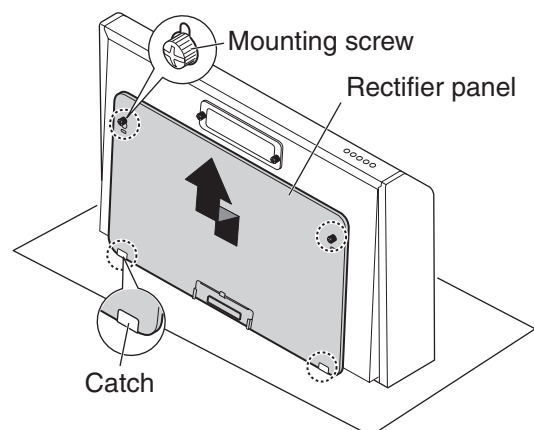
Take out the main unit and accessory parts (screws, exhaust port, etc.) from the packing box, and check whether there is any shortage.

Note

Place the range hood on the sheet etc. as shown in order not to scratch the floor.

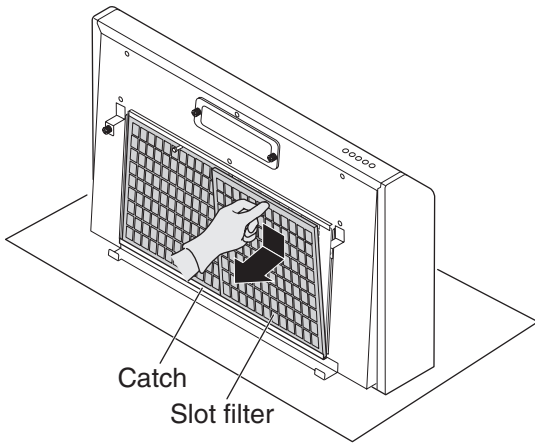
4 Removing rectifier panel

Loosen the mounting screws attaching the rectifier panel, pull the rectifier panel upward slightly to free the mounting screws from the mounting guide holes and the body catches.



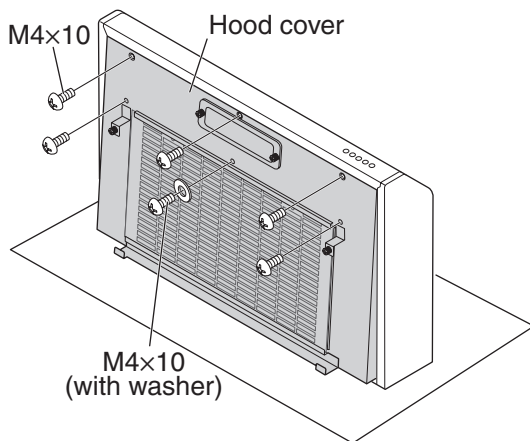
5 Removing slot filter (FS-700: 1 filter, FS-890V/890R: 2 filters)

To remove the filters, for each filter, hold the knob, push the filter downwards, and then pull forwards.



6 Removing hood cover

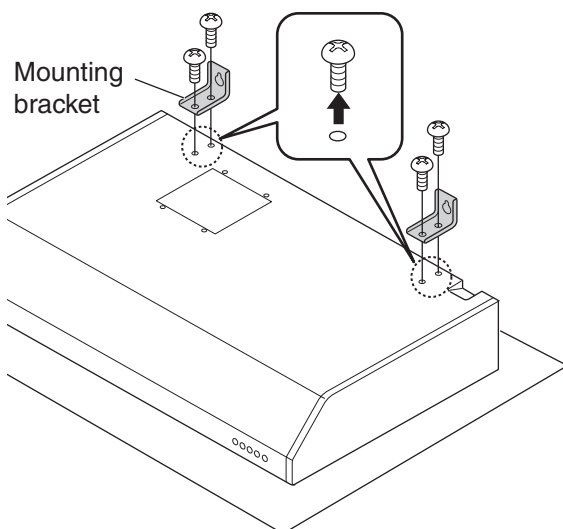
Remove 5 (M4×10) screws and 1 (M4×10 with washer) screw fixing the hood cover and detach it.



7 Fixing the mounting bracket

The fixing screws are supplied with attaching to the top plate.

Firmly fix the mounting brackets by fastening truss head machine screws (M5×10).

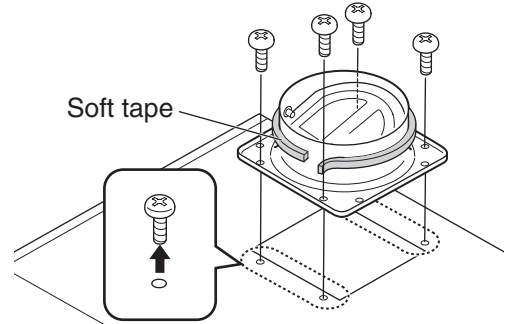


8 Fixing the exhaust port (FS-700/890V only)

The fixing screws are supplied with attaching to the top plate.

Firmly fix the exhaust port by fastening fixing screws (M4×8).

Then attach the supplied soft tape around the exhaust port.



Note

When attaching the exhaust port, pay attention to its shutter opening direction. If it's installed incorrectly, it may cause bad discharge, abnormal noise, etc.



Cooker Hood Mounting

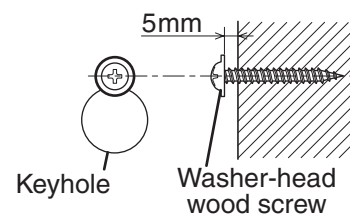
1 Screw in washer-head wood screws on the wall

Referring to "Dimensions" on page 4, insert the washer-head wood screws (Ø5.1×45) into the mounting wall for the left and right keyholes of the mounting bracket. Allow about 5mm space between the wall and screwheads for hanging the cooker hood.

Note

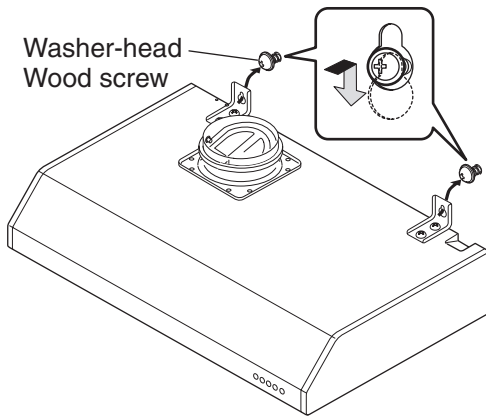
Please use suitable accessories during installation (refer to page 3).

May add or opt for other accessories as reinforcement when necessary.

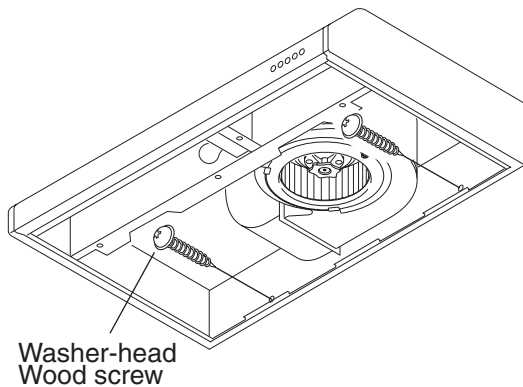


2 Mount the cooker hood

- 1) Hook the keyholes of the cooker hood on the washer-head wood screws, and tighten the screws.



- 2) Put 2 washer-head wood screws to the rear of the cooker hood and tighten them securely.



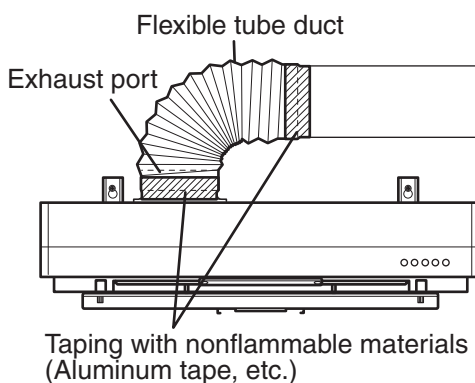
3 Connection of duct and exhaust port (FS-700/890V only)

Connect $\varnothing 150$ flexible tube duct or the like with the exhaust port.

Make the exhaust port secure and air-tight using non-flammable tape such as aluminium tape, etc. (not supplied)

Note

The longer the exhaust duct, the lower the ventilation.



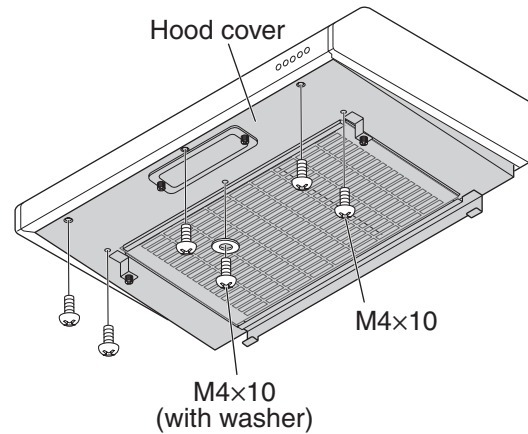
Assembly

1 Attaching hood cover

Hook the rear of the hood cover on the catches, then raise its front. With holding the hood cover, fix it using 5 (M4×10) screws and 1 (M4×10 with washer) screw.

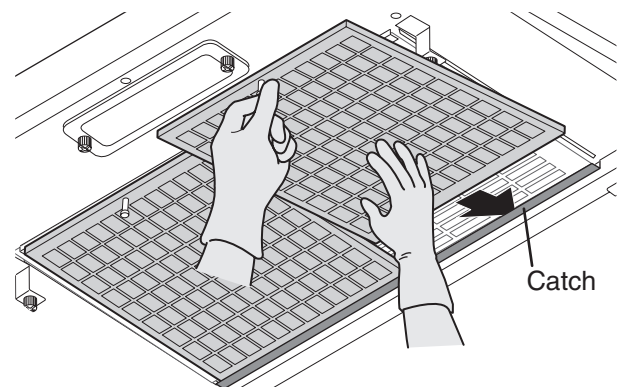
Note

Make sure that a M4×10 screw and washer are used at the position shown in the diagram.



2 Attaching slot filter

Place the rear of the slot filter in the catch, push it back and upward and then slide forward until the filter is firmly set in place.



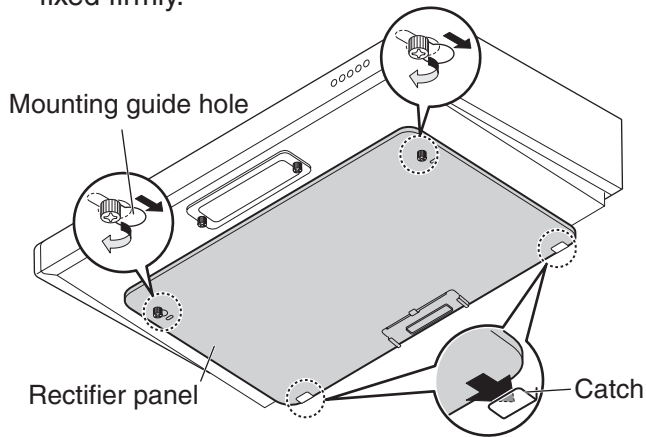
3 Attaching rectifier panel

Holding the rectifier panel with both hands, place the rear of the panel in front of the catches and in line with the mounting guide holes. Then slide the panel back to engage the mounting guides and attach the catches.

Tighten the mounting screw to attach the panel firmly.

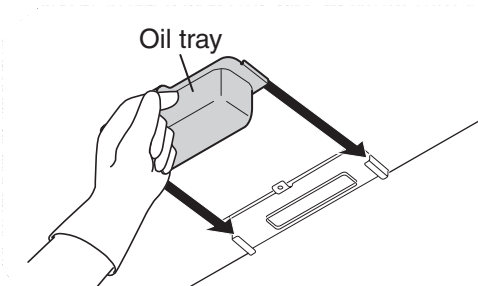
Note

Make sure that the rectifier panel is fixed securely. It may be a cause of dropping if not fixed firmly.



4 Attaching oil tray

Hold the tab and set the oil tray on the guide rail of the cooker hood, then push it completely to the end.



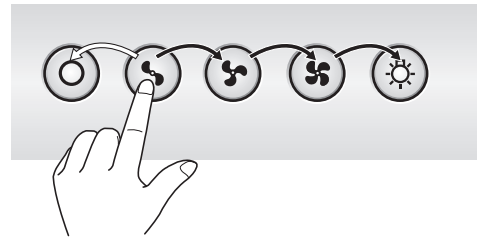
Operation Check

1 Power supply

Connect the power plug to the wall outlet (220V/230V/240V AC).

2 Operation check

1) While operating the cooker hood by pushing the applicable control switches, check the air flow or presence of abnormal vibration or the like.



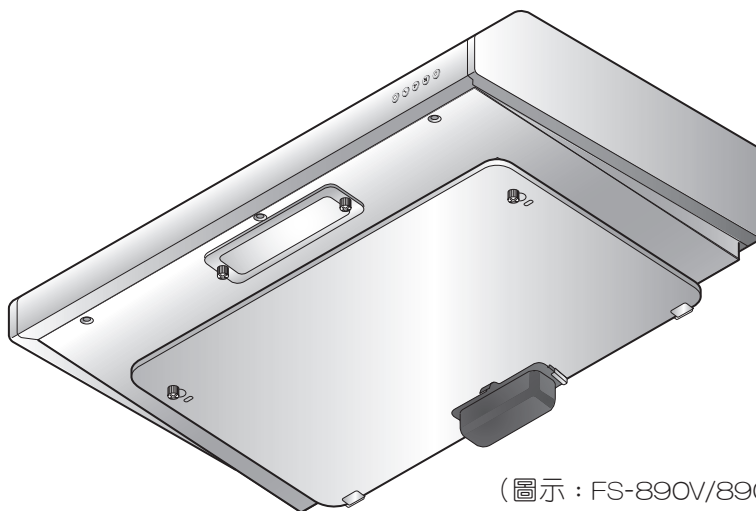
2) Push the light switch to turn ON and OFF the light.

抽油煙機

FS-700/890V (排煙式)

FS-890R (循環式)

安裝手冊



(圖示：FS-890V/890R)

內容目錄

安全措施	2, 3
準備	4
零件的名稱	4
尺寸	5
安裝	6
安裝前的準備和檢查	6
安裝抽油煙機	9
組裝	10
運行檢查	11

代銷店 / 安裝人員請注意：
安裝後，請務必把本手冊
交給用戶。

非常感謝購買我們的抽油煙機。
在安裝抽油煙機之前，請先通讀本手冊。
請將本手冊保存在方便的地方以備隨時參考。



■ 安全措施

- 請在安裝前仔細閱讀下述安全事項，正確安全地安裝抽油煙機。
- 下述安全事項是為了正確地安裝本產品，以免使您和其他人遭受危險或負傷。
安全事項根據緊急性和重要性的程度分為“警告”和“注意”2類。
請予以重視並嚴格按照說明指示操作。

⚠ 警告

知會如果不遵守將有機會發生**死亡**或受**重傷**的危險。

⚠ 注意

知會如果不遵守將有機會發生**受傷**或**人體損害**的危險。

例



⊘ 表示禁止。所述的行為（如果有）是絕對不能做的。
（左圖：禁止拆卸）



● 表示強制執行。所述的行為（如果有）是必須做的。
（左圖：把插頭從牆上的插座中拔出）

⚠ 警告



禁止拆卸
修理或改裝

- **不要嘗試拆卸、修理、或改裝。**
必須請技術人員操作，否則會有起火、觸電、或異常事故發生。



禁止使用

- **不要連接到 220V/230V/240V 以外的電壓電源上。**
會有導致起火、觸電的危險。



裝配時注意

- **在把金屬導管穿過有鋼筋、金屬線、或金屬板的牆壁時，請注意不能讓電流碰到這些金屬部分。**
如果有漏電流流過將有發生起火、觸電的危險。



裝配時注意

- **電線必須由專業安裝公司或人員正確地佈線。**
不正確的佈線可能會導致漏電或起火等事故。



安裝時注意

- **安裝作業必須有至少 2 人以上進行。**
抽油煙機的重量約 15kg (FS-700V)、17kg (FS-890V/890R)。



拔出插頭

- **維修保養時必須把插頭從牆上的插座中拔出，或切斷電源開關。同時，請不要用濕手摸插頭或電源開關。**
會有導致觸電或受傷的危險。



清潔灰塵

- **插頭的插件或插頭坐上有灰塵時，請清潔乾淨。**
會有導致起火的危險。



禁止灑水

- **不要灑水到通電部分。**
會有導致起火、觸電的危險。



禁止運行

- **在爐具有漏氣的可能性時，不要開動或關上抽油煙機。**
會有引起氣體爆炸的危險。



注意
空氣流通

- **務必安裝在空氣流通順暢的地方。**
在使用自然通風型爐灶等時，如果通風不暢會引起煤氣中毒。



禁止
不當排氣

- **空氣不得排入用於排放燃氣或其他燃料設備廢氣的煙道。**
（只用作空氣回風的家電除外）



遵守規定

- **必須遵守有關排氣的規定。**

⚠ 注意



安裝時注意

- **選擇牢固的地方安全地安裝本產品。**
落下會造成傷害。



禁止
不當排氣

- **空氣不得排入用於排放燃氣或其他燃料設備廢氣的煙道。**
（只用作空氣回風的家電除外）



安裝時注意

- **爐具上爐架的表面與抽油煙機最低部分的最小距離。**
如果抽油煙機安裝在燃氣爐具上方時，這個距離應至少在 80 厘米以上。
如果燃氣爐具的安裝說明指定一個更高的距離時，請酌情考慮。



拿住插頭
拔出

- 在拔出插頭時，請拿著插頭拔，不要拉電線部分。
如電線破損，會有導致起火或觸電的危險。



拔出插頭

- 長期不使用時務必把插頭從牆上的插座中拔出，或切斷電源開關。
可能因絕緣體的劣化而導致起火或觸電的危險。



禁止使用

- 絕對不要在浴室等潮濕的地方使用本產品。
(浴室請使用排氣扇)
會有導致起火或觸電的危險。



裝配時注意

- 要牢固地組裝配件。
如果掉落會有受傷的危險。



裝配時注意

- 必須保證電線是按照相關的標準或規定佈線的。
不正確的佈線會導致起火或觸電的危險。



禁止觸摸

- 做飯時不要觸動過濾網或其周圍的部分。
過濾網或其周圍的部分可能會滴油，從而造成燒傷或傷害。



禁止觸摸

- 運行時，絕對不要把手指或其他物體插進機件。
會有導致破損或受傷的危險。



禁止觸摸

- 不要觸摸燈罩或其周圍的部分。
可能因高溫導致燙傷。



禁止運行

- 在做飯時發生油著火的情況，請立即關掉抽油煙機。
如果不立即關掉會有助長火勢的危險。



禁止

- 請不要把東西放置在抽油煙機上。
東西落下會有引起起火、破損、或受傷的危險。



戴手套

- 在維修保養時務必戴上手套。
銳利的邊緣或拐角可能引起受傷。

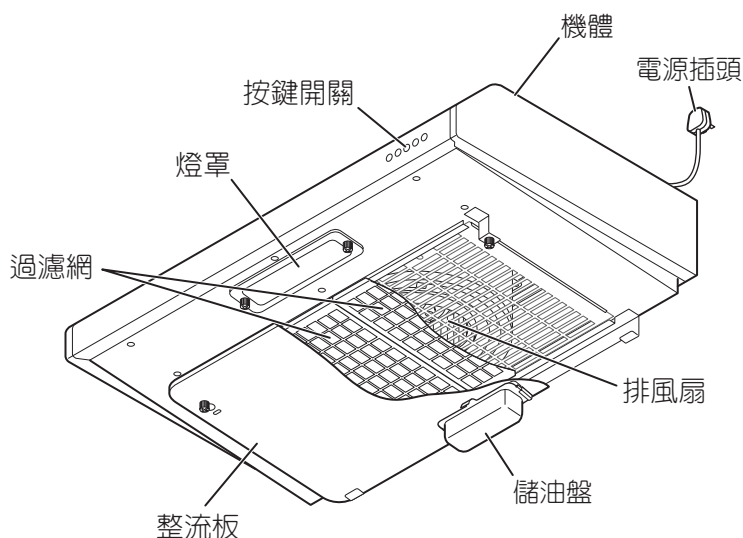


更換
破損電線

- 如果電源線有破損，必須由製造商、製造商的代理或具備相同資格的人來更換，以免出現危險。

■ 準備

零件的名稱



附件

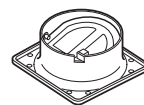


華司頭木螺絲
($\varnothing 5.1 \times 45$) (4)



掛具 (2)

僅限 FS-700/890V



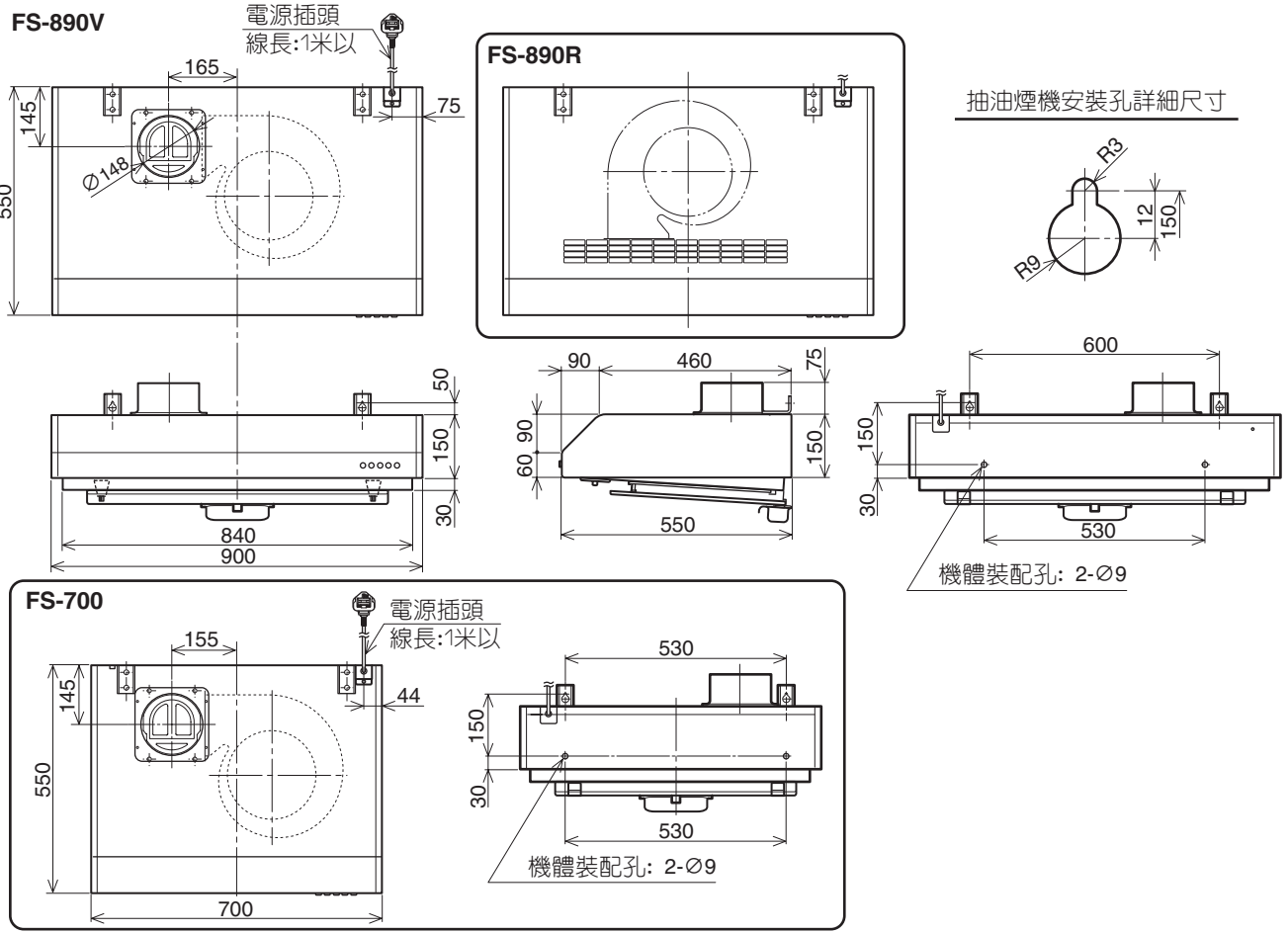
排氣口 (1)



軟帶 (1)

尺寸

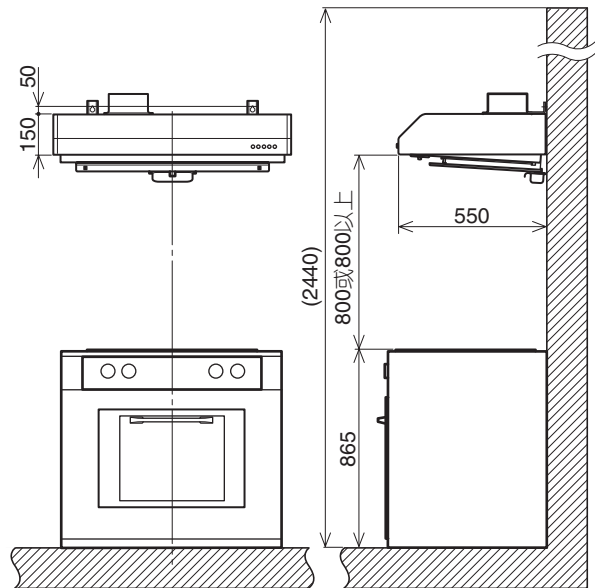
(單位: mm)



標準安裝高度

(單位: mm)

抽油煙機的安裝必須保持爐具的表面與抽油煙機的底部相距 800mm 以上。(800mm 性能最佳)



■ 安 裝

安裝前的準備和檢查

⚠ 注意

1. 仔細安裝抽油煙機，避免與建築裡的任何金屬部分（牆壁裡的鋼筋等）接觸。
2. 絕對不要把抽油煙機的機體嵌入牆裡。否則如果牆裡有電流會傳到抽油煙機主機上。
3. 空氣不得排入用於排放燃氣或其他燃料設備廢氣的煙道。
(只用作空氣回風的家電除外)
4. 爐具上支架的表面與抽油煙機最低部分的最小距離限度。
如果抽油煙機安裝在燃氣爐具上方時，這個距離應至少在 80 厘米以上。
如果燃氣爐具的安裝說明指定一個更高的距離，請酌情考慮。
5. 使用小於抽油煙機寬度的燃氣爐具。
6. 避免使用改變規格的抽油煙機，例如開關被改裝等。
7. 不要把抽油煙機安裝在潮濕的地方或其他潮濕的室內，以免引起觸電或破損。
8. 不要把抽油煙機安裝在環境溫度超過 40 度的地方，以免引起產品功能異常。
9. 為了保護雙手不受傷，安裝時請戴上手套。
10. 如果電源線破損，須由製造商或其服務代理商或具有相同資格的人員更換，以避免造成傷害。
11. 如果因為排氣導管太短，可以從出口處伸進手觸摸到排風扇時，請採取有效的措施防止手伸進去。

1 檢查安裝面的強度

安裝面必須保持足夠的強度可以支撐抽油煙機。把抽油煙機安裝在可承受抽油煙機重量的地方。
(重量：15kg (FS-700V) /17kg (FS-890V, FS-890R))

■ 牆面是石膏板的情況

- 如果石膏板厚超過 20mm，可以直接安裝到牆壁上。
- 如果石膏板厚不到 20mm，請嵌入一張加強輔助板，然後把抽油煙機安裝到輔助板上。

■ 牆面是混凝土 / 瓷磚的情況

- 預先嵌入一張加強輔助板，或者使用嵌牆器具等。

2 電源插頭

抽油煙機的電源插頭為 5A 型 3 腳插頭 (Type-BF: BS1363)。
只能使用牆壁電源插座。

3 檢查附件配件

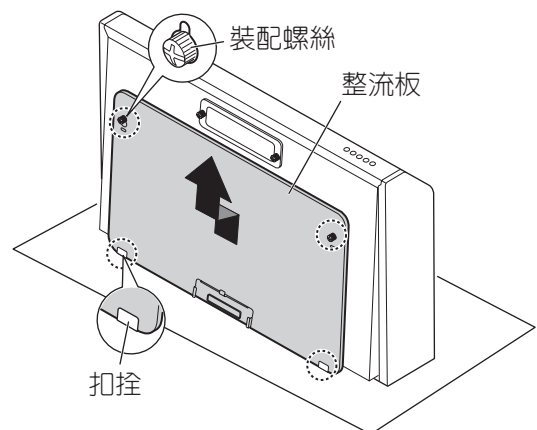
把主機和附件配件（螺絲，排氣口等）從包裝箱中取出，檢查有無短缺。

注

按照圖示把抽油煙機放在墊布等保護物上以避免刮傷地板。

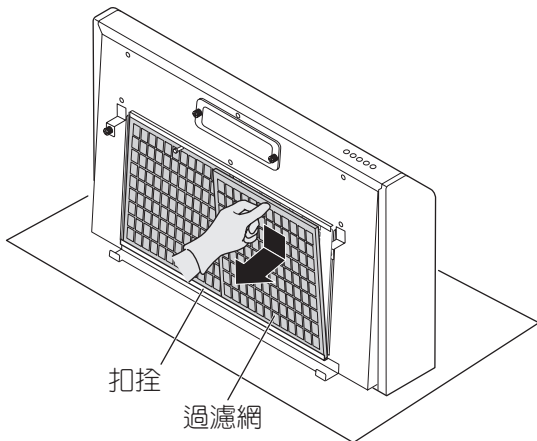
4 拆取整流板

鬆開安裝在整流板上的裝配螺絲，把整流板稍稍向上抬起，讓裝配螺絲從裝配槽孔和機體扣栓上取下。



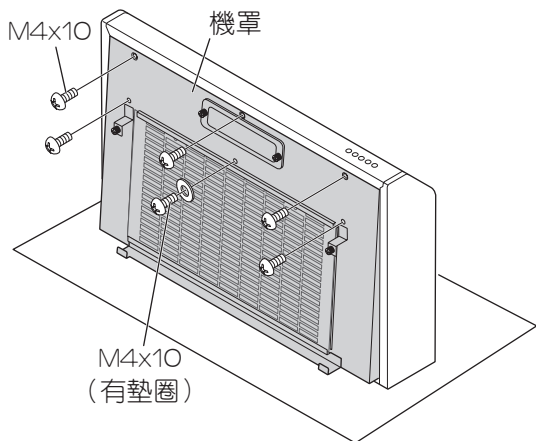
5 取下過濾網 (FS-700 : 1 個過濾網, FS-890V/890R : 2 個過濾網)

在拆下過濾網時，各個過濾網都要一邊抓住旋鈕，一邊往下推，然後拉出來。



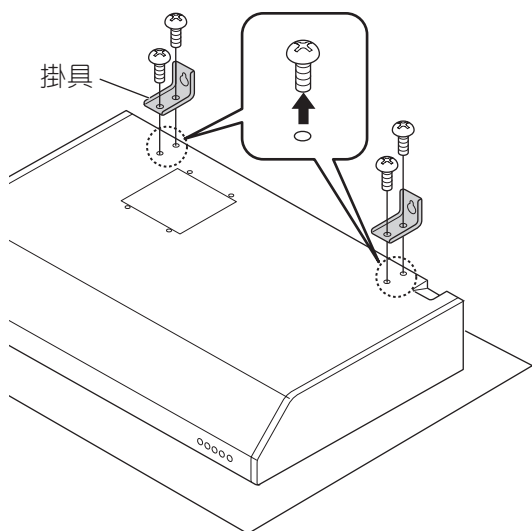
6 拆取機罩

把固定機罩的 5 個 (M4x10) 螺絲和 1 個 (M4x10 有墊圈) 螺絲鬆開並取下。



7 固定掛具

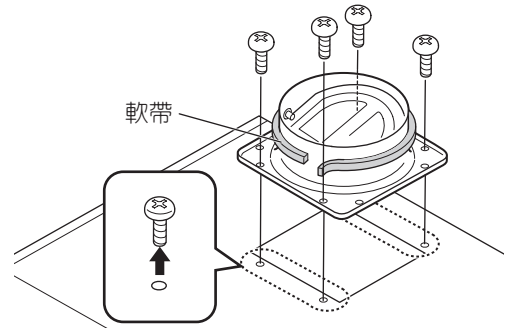
把提供的固定螺絲安裝到頂板上。
擰緊構架頭機械螺絲 (M5 x 10)，把掛具固定牢。



8 固定排氣口 (僅限 FS-700/890V)

把提供的固定螺絲安裝到頂板上。

擰緊構架頭機械螺絲 (M4 x 8)，把排氣口固定牢。
之後，把提供的軟帶裝貼到排氣口周圍。



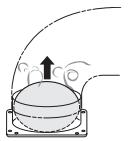
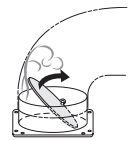
注

在安裝排氣口時，請注意排氣口擋板的開口方向。
如果排氣口安裝不正確可能導致排氣功能降低、產生異常噪音等不良現象。

正確



錯誤



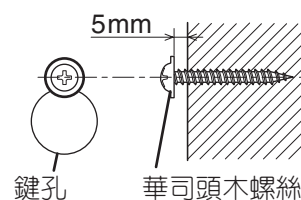
安裝抽油煙機

1 把華司頭木螺絲釘到牆裡

請參照第 4 頁“尺寸”，把華司頭木螺絲 (Ø5.1 x 45) 插入安裝牆面上的掛具的左右兩個鍵孔中。請在牆面和螺絲頭之間預留 5mm 的空間用來掛抽油煙機。

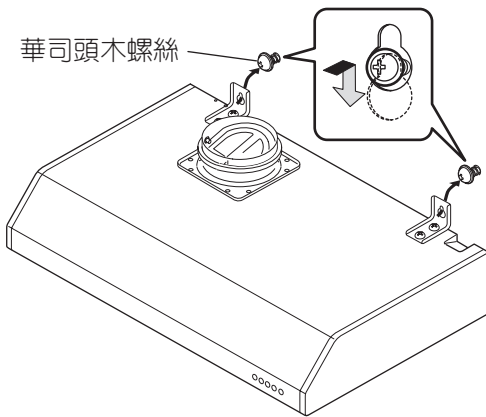
注

安裝工序需要因應不同環境配合適當零配件安裝 (請參照第 3 頁)，需要時可另行加裝其他零配件。

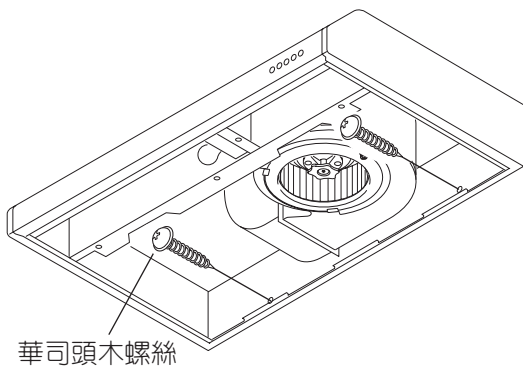


2 裝配抽油煙機

- 1) 把配抽油煙機的鍵孔掛到華司頭木螺絲上，並擰緊螺絲。



- 2) 把 2 個華司頭木螺絲插入抽油煙機的后部並擰牢固。

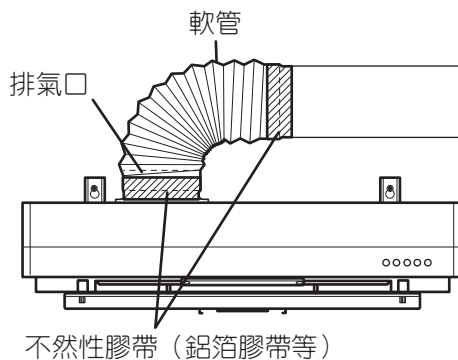


3 連接導管和排氣口（僅限 FS-700/890V）

連接 $\varnothing 150$ 軟管或排氣口的同類導管。確保排氣口的安全，用鋁箔膠帶等（非提供品）不然性膠帶把導管的接口密封起來。

注

排氣口越長或轉彎位越多，通風性能越低。



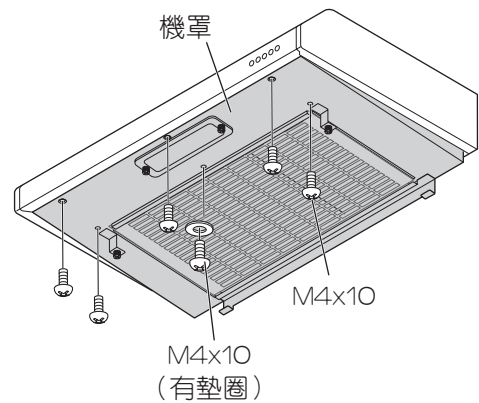
組裝

1 安裝機罩

把機罩的後部掛到扣栓上，然後抬起前方。一邊拿住機罩，一邊用 5 個（M4x10）螺絲和 1 個（M4x10 有墊圈）螺絲固緊。

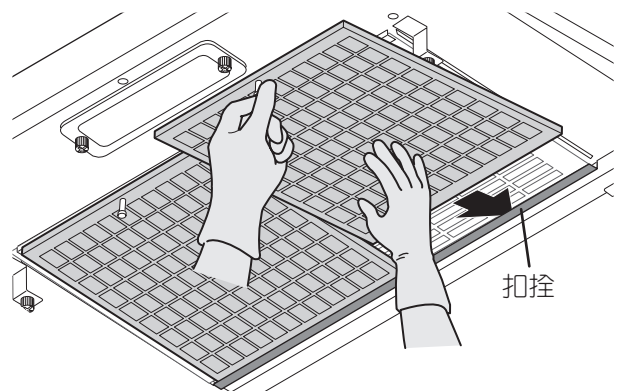
注

請參照示意圖確認 M4x10 螺絲和墊圈的使用位置。



2 安裝過濾網

把過濾網的後部放到扣栓上，往後上方推，然後向前滑動直到過濾網固定到位。

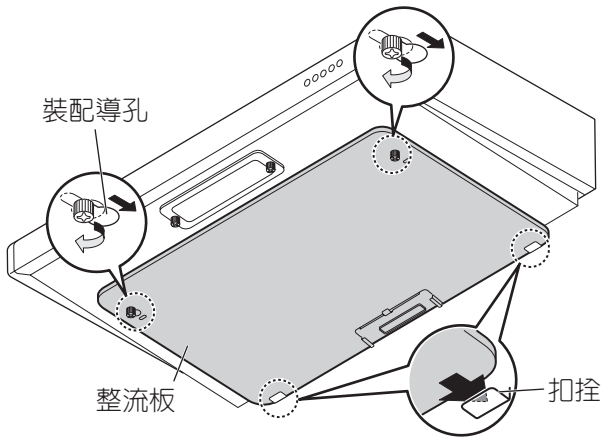


3 安裝整流板

用兩手抓牢整流板，把整流板的後部放到扣控的前方和有裝配導孔的線軌中。然後向後滑動整流板銜接安裝導孔並與扣控咬合。擰緊裝配螺絲，安裝好整流板。

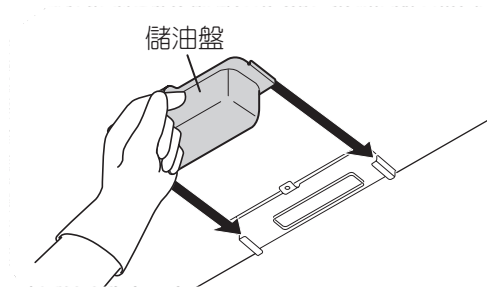
注

必須保證整流板的安全安裝，如果有鬆動可能會發生滑落事故。



4 安裝儲油盤

抓住把手把儲油盤放入抽油煙機的滑道，然後往裡面推到底。



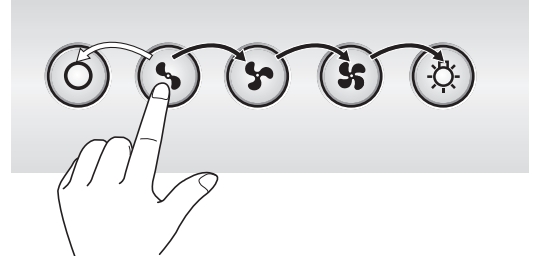
運行檢查

1 電源

把電源插頭插入牆上的插座（220V/230V/240V 交流電）。

2 運行檢查

1) 續一開啓風速控制鍵，檢查風速及有沒有異常震動。



2) 按風速及照明控制鍵，檢查排氣扇及燈是否正常開關。

- 本手冊如有錯漏或更改，恕不另行通知。
- 一切翻譯以英文版本為準。