

FH-GS63

嵌入式氣體煮食爐 Built-in Gas Hob



FH-GS6330 SVGL



FH-GS6320 SVGL

SPECIFICATIONS 規格

Number of Burner 爐頭數量	3	2
Dimensions [mm] 尺寸	W780 x D460 x H150	W760 x D450 x H150

HEATING LOAD H.K. TOWN GAS [kW] 燃氣-香港煤氣 [千瓦]

Left 左	6.0	6.0
Centre 中	2.5	-
Right 右	6.0	6.0
All Burners On 全開	14.5	12.0
Pressure [Pa] 壓力	1500	1500

優越功能 ADVANCED FUNCTIONS

01/ 分段火焰控制 Sectional Flame Control

用單環或雙環控制不同火焰
Controls desired flame with single or double rings



02/ 鋼化玻璃 (8mm) Toughened Glass

整潔外觀及易於拭抹污穢
Good looking and easy to wipe off the spills at the same time



03/ 旋轉按鈕 Knob

按鈕設計高雅
Elegant Spin Finish Knobs



04/ 迷你鍋支架 Mini Pan Support

輔助架適用於小型平底鍋
Assist burner rack, use for small pan



05/ 達克羅塗層鑄鐵噴咀 Cast iron with Dacromet Coating Venturi

達克羅技術提供出色的防腐蝕保護
Dacromet technology provides excellent corrosion protection



06/ 熄火安全裝置 Flame Failure Safety Device

當熄火時會自動切斷燃氣供應，確保安全
Cuts off gas supply automatically when flame gets extinguished for safe cooking



CUT-OUT DIMENSIONS & REPLACEMENT SIZE [mm] 開孔和替換尺寸 [毫米]

Cut-out Dimensions 開孔尺寸 W650~700 x D350~400, R120

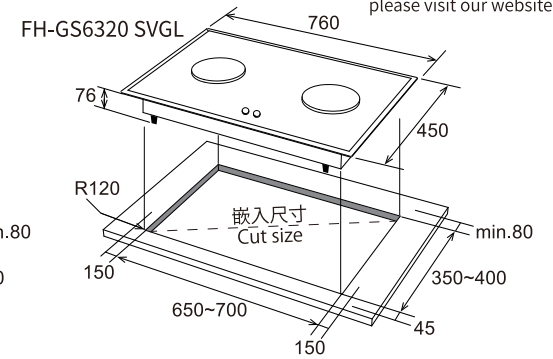
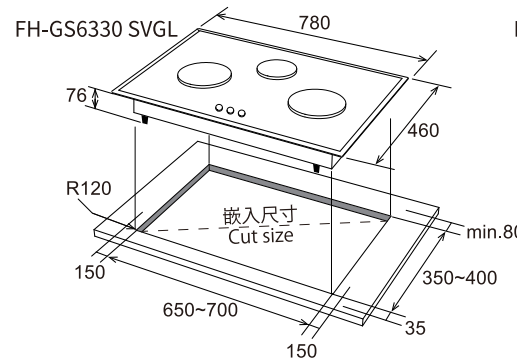
Ignition Type 點火方式

Pulse Ignition 脈衝點火 Battery Operated (Size D 1.5V) 電池 (D型 1.5V)

氣體爐與抽油煙機的距離最少650毫米
Min.650mm between Gas hob and cookerhood

廚櫃需留活風口，詳情請瀏覽本網站
Cabinet need fresh air inlet, please visit our website

INSTALLATIONS 安裝



單位:毫米 unit:mm
圖示並不是按比例繪畫 Illustration is not drawn to scale

產品圖像僅用於說明，可能與實際產品有所不同。
Product images are for illustrative purposes only and may differ from the actual product.