

Cooker Hood

FR-SC1770/90/11

Installation/Operation Manual



TABLE OF CONTENTS

Safety Precautions	2~5	Maintenance	13~15
Precautions on Use.....	5	Caution for Maintenance.....	13
Preparation	6~7	Detaching/Attaching	
Name of Parts.....	6	Cleaned Parts	13~14
Switch	7	Cleaning.....	15
Installation	8~12	Other Information.....	15~17
Preparation and Check		Specifications.....	15
before Installation.....	8~10	Circuit Diagram	16
Cooker Hood Installation	10~12	Service and Warranty.....	17
Operation Check.....	12		

To the sales shop/installer:
After installation, please
give this manual to the user
without fail.

Thank you very much for your purchase of our cooker hood.

**Before installing/operating the cooker hood, please read
this Manual thoroughly.**

Keep this manual in a convenient place for future reference.

1F02 2181



* 1 F 0 2 2 1 8 1 *

Safety Precautions

- Read the following safety instructions before operating, and use the cooker hood properly and securely.
- These instructions are for correct operation of the product to prevent any risk of hazards or damages inflicting on you or others. The instructions are classified into 2 categories as "WARNING" and "CAUTION" depending on their emergency and severity. Pay attention and strictly observe the instructions as they are critical for safety.












WARNING

Alerts possible risk of **death** or **serious injury**, if not observed.

CAUTION

Alerts possible risk of **injury** or **physical damage**, if not observed.

WARNING

- | | |
|---|--|
|  Less than 4 burners (7.0kW) | <ul style="list-style-type: none"> ● The cooker hood is intended to be installed over a hob with up to four hob elements or burners, no more than total 7.0kW. |
|  Disassembly, repair, or modification prohibited | <ul style="list-style-type: none"> ● Never attempt to disassemble, repair, or modify.
Entrust them to the qualified technician, otherwise fire, electric shock, or abnormal performance may occur. |
|  Using prohibited | <ul style="list-style-type: none"> ● Don't connect to the power voltage other than 220V/230V/240V AC.
Fire or electric shock may result in. |
|  Assembly cautioned | <ul style="list-style-type: none"> ● Electric wiring must be made properly by the professional installer or personnel.
Incorrect wiring may be cause of electric leakage or fire. |
|  Mounting cautioned | <ul style="list-style-type: none"> ● Mounting work should be done by 2 persons minimum.
The weight of the cooker hood is about 19kg (FR-SC1770), 21kg (FR-SC1790), 23kg (FR-SC1711). |
|  Disconnect the plug | <ul style="list-style-type: none"> ● Be sure to disconnect the power plug from the wall outlet, or switch off the breaker when care and maintenance. Also, don't handle the power plug or breaker with wet hand.
Electric shock or injury may result in. |
|  Wipe off dust | <ul style="list-style-type: none"> ● When dust accumulated on the blades of the power plug or on their roots, wipe off well.
Fire may result in. |
|  Spraying water prohibited | <ul style="list-style-type: none"> ● Don't spray water on the electric parts.
Fire or electric shock may result in. |
|  Operation prohibited | <ul style="list-style-type: none"> ● When there may be a gas leak in your gas hob, don't switch on or off the cooker hood.
Gas explosion may result in. |
|  Air supply cautioned | <ul style="list-style-type: none"> ● Choose a mounting location where sufficient air flow is maintained.
CO poisoning may result if not ventilated adequately while using a natural vent type stove, etc. |
|  Air supply cautioned | <ul style="list-style-type: none"> ● There shall be adequate ventilation of the room when the range hood is used at the same time as appliances burning gas or other fuels. |

WARNING



Ensure adjustment

- Exhaust adjustment must be ensured.



Supervision requested

- This appliance is not intended for use by person (including children) with reduced physical, sensory or mental capabilities, or lack of experience and knowledge, unless they have been given supervision or instruction concerning use of the appliance by a person responsible for their safety.

Children should be supervised to ensure that they do not play with the appliance.



Clean frequently

- There is a fire risk if cleaning is not carried out in accordance with the instructions.



Flambé prohibited

- Do not flambé under the cooker hood.

CAUTION



Mounting cautioned

- Mount the product securely after selecting a solid place.

Dropping may result in injury.



Improper discharge prohibited

- The air must not be discharged into a flue that is used for exhausting fumes from appliances burning gas or other fuels (not applicable to appliances that only discharge the air back into the room).



Mounting cautioned

- The minimum distance between the supporting surface for the cooking vessels on the hob and the lowest part of the cooker hood. When the cooker hood is located above a hob, this distance shall be at least 445mm.

If the instructions for installation for the hob specify a greater distance, this has to be taken into account.



Disconnect by holding the plug

- When disconnecting the power plug, hold the plug itself. Don't pull the cord anyway.

The cord may be damaged, and fire or electric shock may result in.



Disconnect the plug

- Be sure to disconnect the power plug from the wall outlet, or switch off the breaker when not using for a long time.

Insulation may be deteriorated, and fire or electric shock may result in.



Using prohibited

- Never use the product in a wet place such as bath room, etc. (Use a ventilation fan for bath room.)

It may be cause of fire or failure if used.



Assembly cautioned

- Assemble the fan or component parts securely.

Injury by dropping may result in.



Assembly cautioned

- Ensure that electric wiring is made safely according to the standard or regulations related.

Incorrect wiring may result in fire or electrical shock.



Contact prohibited

- Accessible parts may become hot when used with cooking appliances. Don't touch the filter or parts around it while cooking.

The filter or parts may drop, and burn or injury may result in.



Contact prohibited

- During operation, never insert fingers or other objects.

Failure or injury may result in.

CAUTION

Safety Precautions



Operation prohibited

- **Switch off the cooker hood at once when oil caught fire while cooking.**
It's dangerous if not stop as fire is built up.



Prohibited

- **Do not put anything on the cooker hood.**
It may be cause of fire, failure, or injury by dropping.



Wear gloves

- **Be sure to wear gloves when care and maintenance.**
Injury by the sharp edges or corners may result in.



Replace the cord if it's damaged

- **If the power cord is damaged, it must be replaced by the manufacturer, its service agent or similarly qualified persons in order to avoid a hazard.**



Prohibited

- **To avoid eye damage, do not look directly at the LED light while it is on.**



Caution

- **When the oil reaches one half of the oil tray, it must be cleaned to prevent overflow and oil dripping during removal.**



Mounting cautioned

- **During installation, the hook and plastic expansion pipe (on the concrete wall) must be matched with the product to prevent the product from falling.**



Mounting cautioned

- **In order to prevent the product from falling, the plastic expansion pipe used must be equipped with a corresponding drill bit with a minimal gap between them.**



Caution

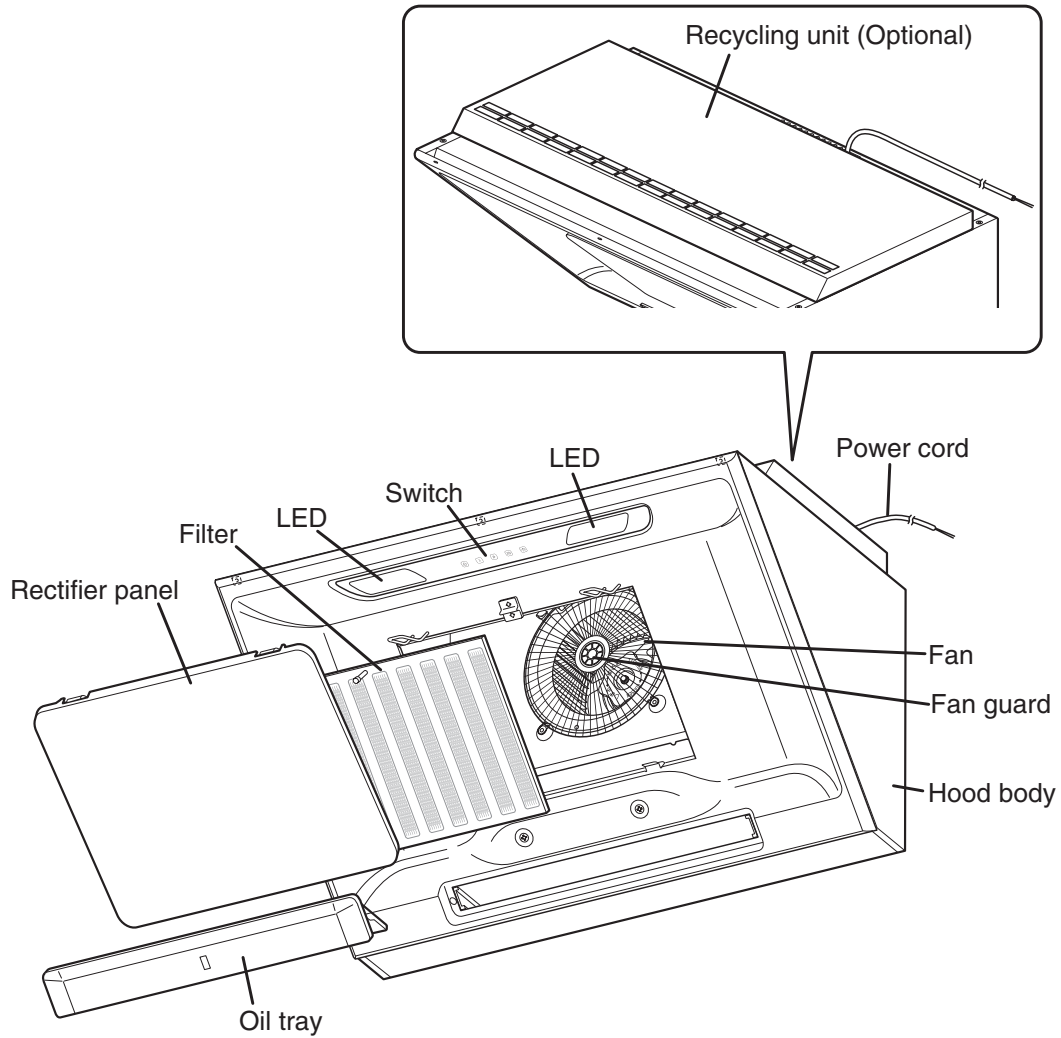
- **Specific methods for gas exhaust must be indicated.**

Precautions on Use

- **Operate the cooker hood without fail when using cooking wares.**
Otherwise, it may be cause of the cooker hood damage or failure by increased temperature.
- **Don't use a gas range with nothing put on it.**
The body of the cooker hood is heated, and it may cause trouble.
- **Prevent influence of direct wind from air conditioner.**
Smoke capturing performance may be deteriorated if influenced. Especially, as the Induction Heater (IH) provides nearly no ascending air current, it is easily influenced in open place.
- **When using with the Induction Heater (IH), smoke capturing performance may be deteriorated by influence of cross wind. Also, the surface of the cooker hood may be dew condensation if it is used in low temperature.**
In this case, use the cooker hood after wiping off.
- **During operation, pay attention to sufficient air supply.**
Provide adequate air intake slots on the wall opposite from the cooker hood, or open the door of the room a little. Otherwise, ventilation performance may be deteriorated, or abnormal noise/vibration may result in.
- **Separate gas heater more than 500mm from the cooker hood.**
As the around of gas heater becomes high temperature, separate more than 500mm.
Never install the cooker hood above gas heater. If not, it may be cause of the cooker hood damage or failure by increased temperature.
- **Do not use the cooker hood with its rectifier panel removed.**
Smoke capturing performance may be deteriorated.

Preparation

Name of Parts



List of Included Items

Name Usage	Usage	Quantity
Main unit	—	1
Exhaust port	Connecting the main unit and the duct	1
Soft tape	Sealing the exhaust port and the duct	1
Washer-head wood screw ($\varnothing 5.1 \times 45$)	Mounting the main unit	4
Pattern paper	Mounting the main unit	1

Switch

Airflow On/Off Switches

Press this switch to turn on/off the airflow.
The switch button will light up when pressed.



(Low) : When there isn't much smoke/for quiet operation



(Medium) : During normal operation



(High) : When there is a lot of smoke/for quick ventilation



Timer On/Off Switch

During normal use, press this switch to turn on/off the timer operation of the airflow.

The timer button will flash and the fan will operate for approx. three minutes at the set speed before turning off automatically.

Use of the timer will remove odors and prevent oil collecting on the fan.

* The light will not turn off after the timer operation finishes.

Press the light On/Off switch to turn off the light.

* The timer operation can also be canceled by pressing the airflow On/Off switches.



Light On/Off Switch

Press this switch to turn on/off the light.

■ Installation

Preparation and Check before Installation

CAUTION

1. Mount the cooker hood carefully and avoid contact with any metal parts (the lath in the wall or the like) of the building.
2. Never embed the body of the cooker hood in the wall. Otherwise, leakage current in the wall, if any, flows to the body of the cooker hood.
3. The air must not be discharged into a flue that is used for exhausting fumes from appliances burning gas or other fuels (not applicable to appliances that only discharge the air back into the room).
4. The minimum distance between the supporting surface for the cooking vessels on the hob and the lowest part of the cooker hood. When the cooker hood is located above a hob, this distance shall be at least 445mm.
If the instructions for installation for the hob specify a greater distance, this has to be taken into account.
5. Use a gas range having a narrower width than that of the cooker hood.
6. Avoid using the cooker hood with changes in the specification, for instance, with modifying the switch.
7. Do not install the cooker hood in a wet area or in other wet rooms since it may result in electric shock or damage.
8. Do not install the cooker hood at a place where its ambient temperature exceeds 40°C, otherwise it may result in failure.
9. To protect your hands from injury, wear working gloves when installing the cooker hood.
10. If the power cord is damaged, it must be replaced by the manufacturer or its service agent or a similarly qualified person in order to avoid a hazard.

Checking mounting surface strength

The mounting surface should have sufficient strength enough to support the cooker hood.

Mount the cooker hood on a place durable to support the weight of the cooker hood.

[Product weight 19kg (FR-SC1770), 21kg (FR-SC1790), 23kg (FR-SC1711)]

■ In the case of boarded wall

- If the thickness is more than 20mm, mount the cooker hood directly to the wall.
- If the thickness is less than 20mm, embed a reinforcing board and mount the cooker hood to this board.

■ In the case of a concrete/tile faced wall

- Embed a reinforcing board in the wall in advance, or use a curl plug or the like.

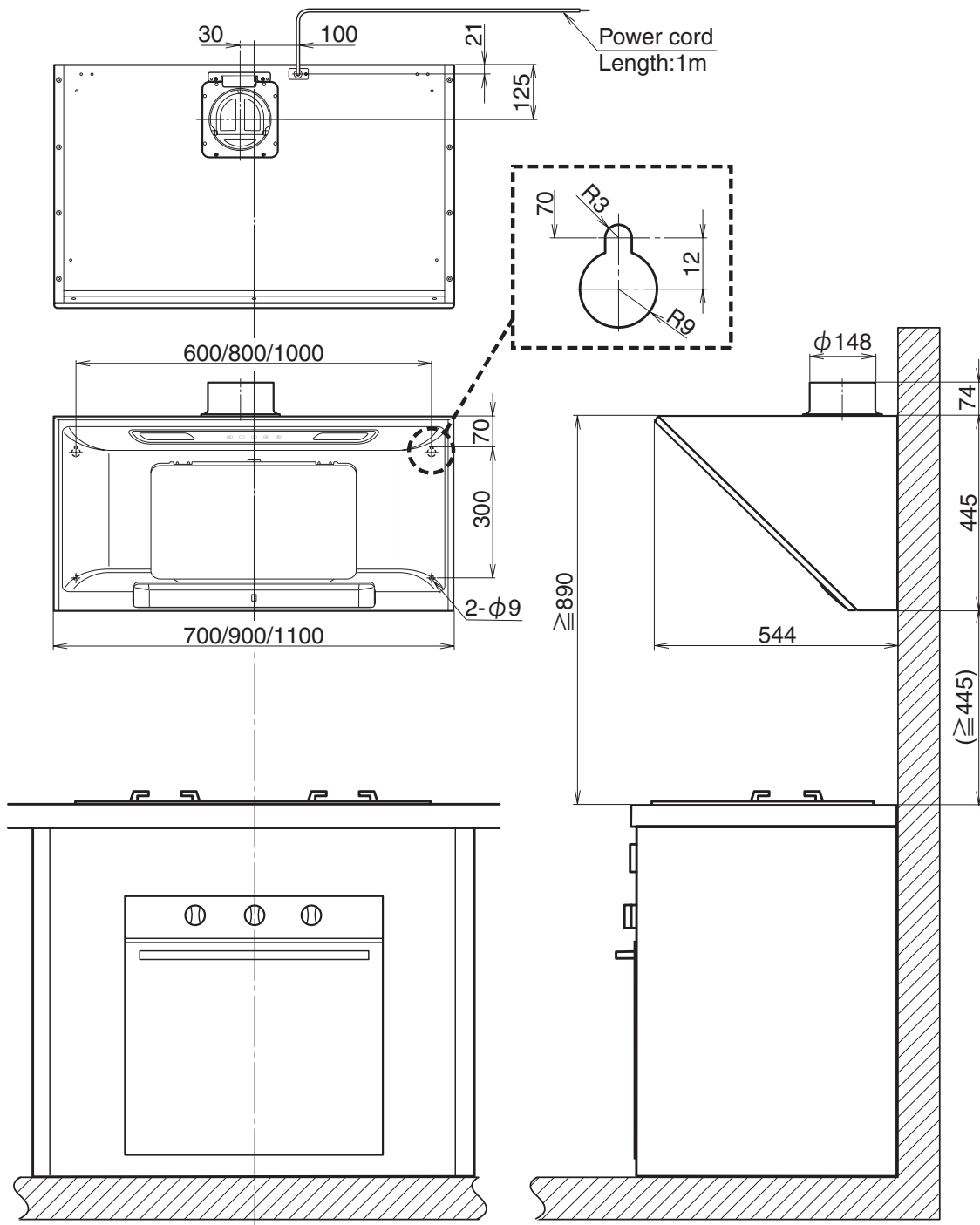
Power Supply

- This product does not include a power plug. Please have a qualified technician attach a power plug to the power cord.
- Be sure to use the wall outlet only for the cooker hood.

Checking Accessory Parts

Take out the main unit and accessory parts from the packing box, and check whether there is any shortage.

Confirmation of the installation location (Unit: mm)



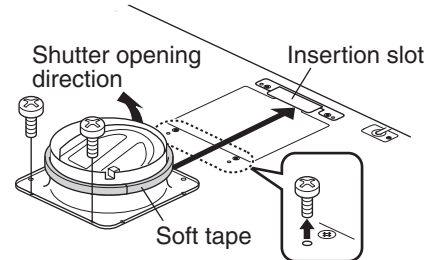
Attaching exhaust port

Do not use the exhaust duct when using a recycling unit sold separately.

* Please read the installation manual included with the separately sold unit for more information.

The fixing screws are supplied with attaching to the top plate. Insert the exhaust outlet to the insertion slot on the top of the enclosure, and fix using 2 screws.

Then attach the supplied soft tape around the exhaust outlet.



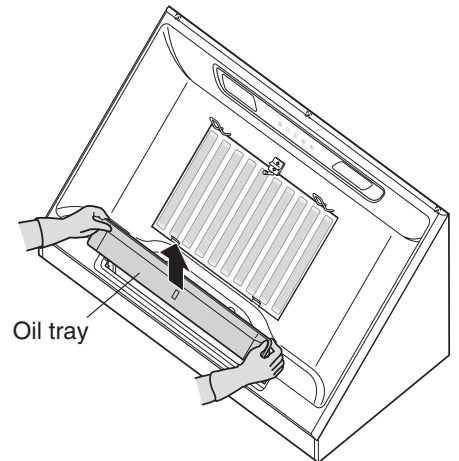
Note

When attaching the exhaust outlet, pay attention to its shutter opening direction. If it's installed incorrectly, it may cause bad discharge, abnormal noise, etc.

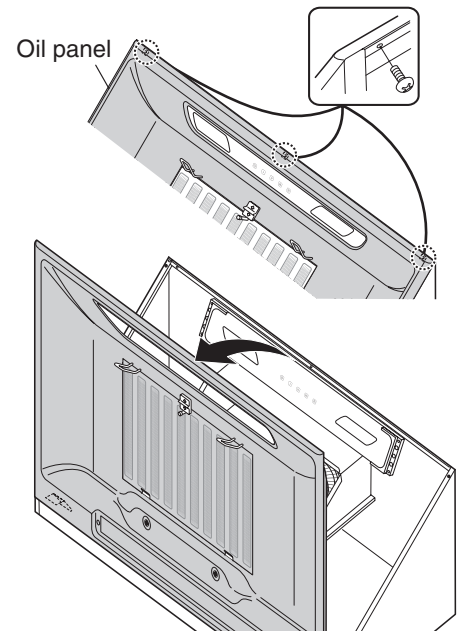


Cooker Hood Installation

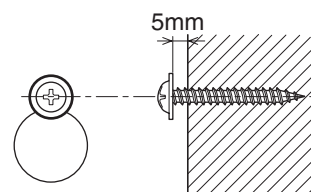
1) Remove the oil tray.



2) Remove the three screws securing the oil panel to the top of the unit, then remove the oil panel.



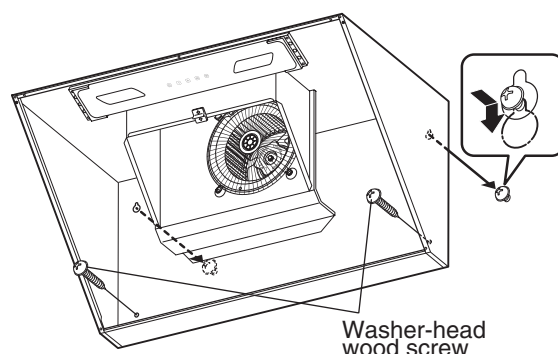
- 3) Using the patterned paper included, insert the washer-head wood screws ($\varnothing 5.1 \times 45$) 5mm into the mounting wall for the left and right keyholes of the mounting bracket. Allow about 5mm of space between the wall and screw heads for hanging the cooker hood.



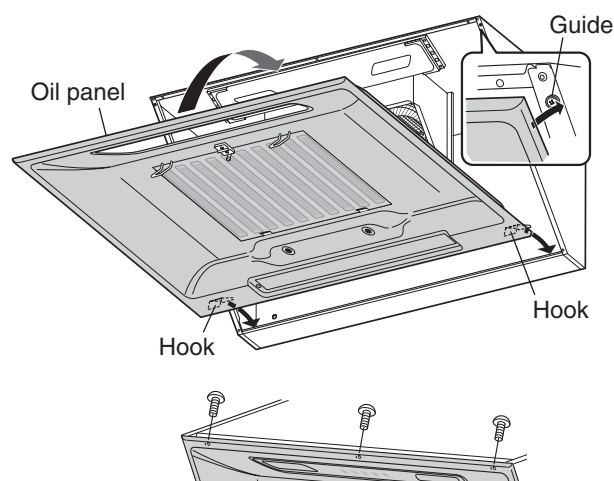
Note

Please use suitable accessories during installation (refer to page 6). May add or opt for other accessories as reinforcement when necessary.

- 4) Hang the unit's keyholes onto the installed washer-head wood screws, and then tighten the screws.
- 5) Affix two washer-head wood screws into the lower, round openings of the keyholes to secure it.



- 6) Attach the oil panel.
- Hang the two hooks at the lower end of the oil panel on the unit, then lift up the oil panel and align it with the guide.
- Affix the oil panel using the three screws previously removed in Step 2).



Note

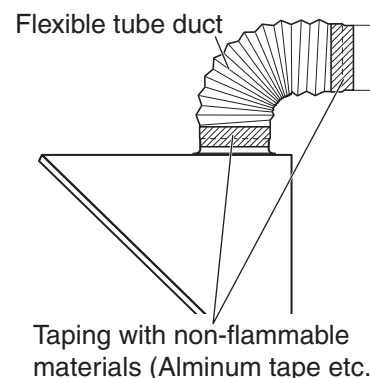
Please press on the oil panel tightly while affixing it so that it does not fall.

- 7) These steps are not necessary when using a recycling unit, sold separately. Please continue to Step 8) on page 12.
- * Please read the installation manual included with the separately sold unit for more information.

Connect $\varnothing 150$ flexible tube duct or the like with the exhaust outlet. Make the exhaust outlet secure and air-tight using non-flammable tape such as aluminium tape, etc. (not supplied)

Note

The longer the exhaust duct, the lower the ventilation.

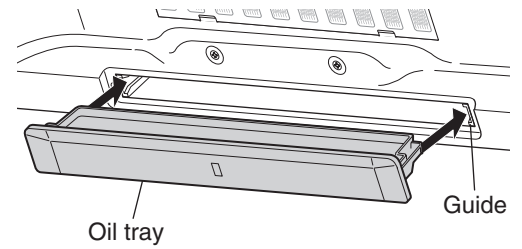


8) Attach the oil tray as before.

Align both sides of the oil tray with the installation section guides while pushing in the tray until it is completely inserted.

Note

Oil may not collect in the short period of time depending on oil cooking frequencies (it's not defects or failure).

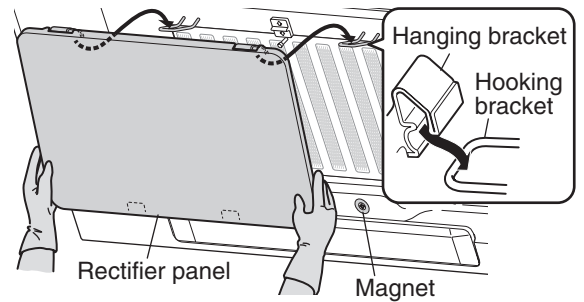


9) Rectifier panel installation.

Securely hang the hanging brackets found on the upper side of the rectifier panel onto the hooking brackets of the main unit. The rectifier panel will be secured to the main unit when it is pressed against the two magnets located at the bottom of the main unit.

Note

Make sure that the rectifier panel is locked securely. It may be a cause of dropping if not locked firmly.



Operation Check

- 1) Please install the oil tray matched with the product.
- 2) Turn the breaker to on and start the test operation. Turn on a breaker and check operation.

- Check that the fan rotates normally at all speeds during operation.
- Check that there are no abnormal sound or vibration.

Maintenance

Clean the cooker hood as many times as possible (especially, clean the filter once every month) as it will become very dirty. For a family size of 4 to 5 people and cooking twice a day, clean the filter once every two weeks. If the cooker hood is left unattended for a long time, much oil is accumulated and it will become difficult to remove the hardened grease.

Caution for Maintenance

- Before cleaning the cooker hood, be sure to disconnect the power plug from the receptacle, or turn off the breaker.
- For safety, always wear a pair of rubber gloves while cleaning the filter, etc.
- Especially, be careful to prevent electric parts such as the motor, switch, connectors or the like from being splashed with water.
- Do not spray liquid of any type detergent to the electric parts. It's cause trouble.
- Do not use solvents such as thinner, benzine, polishing powder or the like for cleaning the painted surfaces, facing plates, etc. as these parts may become lusterless or scored.
- Do not wash parts with a hard brush or the like for cleaning as it can be damaging.

Detaching/Attaching Cleaned Parts

Install all parts using the opposite procedure as that for removing the parts.

Oil Tray

Detaching

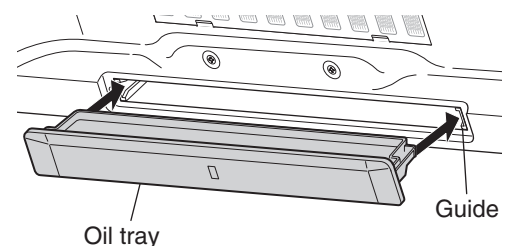
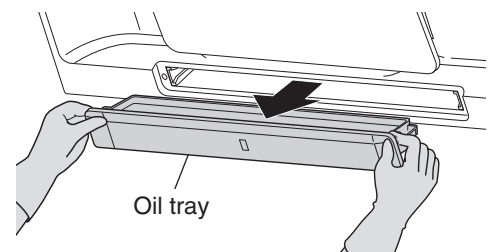
Firmly lift up on both sides of the oil tray and pull straight out while keeping it level.

Note

Oil may not collect in the short period of time depending on oil cooking frequencies (it's not defects or failure).

Attaching

Align both sides of the oil tray with the installation section guides while pushing in the tray until it is completely inserted.



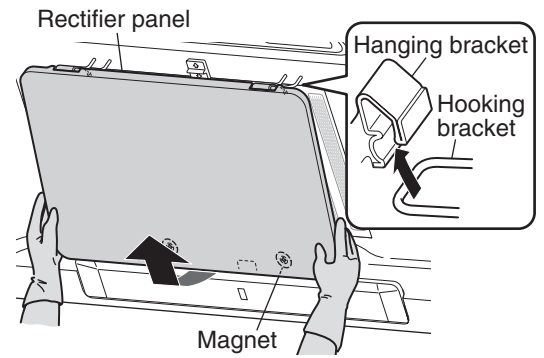
Rectifier Panel

■ Detaching

- 1) Grasping the rectifier panel firmly with both hands and pulling directly out will cause the rectifier panel to release from the fixing magnets.
- 2) Lift the rectifier panel upwards while slightly opened, and separate the hanging brackets from the hooking brackets.

Note

- When performing care and maintenance, be careful not to deform the hooking brackets and hanging brackets of the rectifier panel. Otherwise, it may be impossible to attach the rectifier panel properly.
- In order not to drop the rectifier panel, hold it by both hands securely. If dropped, it may be a cause of injury, flaw or warp of parts, etc.
- When cleaning the rectifier panel, be sure to detach it from the main unit. If not, it may drop and result in injury, damage of parts, etc.



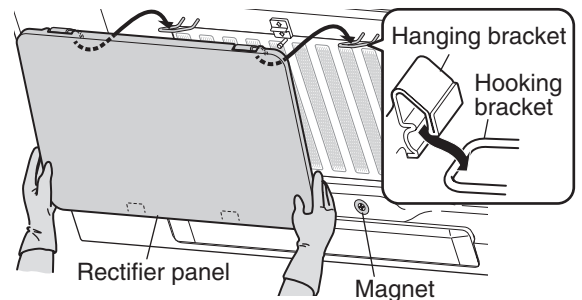
■ Attaching

Rectifier panel installation.

Securely hang the hanging brackets found on the upper side of the rectifier panel onto the hooking brackets of the main unit. The rectifier panel will be secured to the main unit when it is pressed against the two magnets located at the bottom of the main unit.

Note

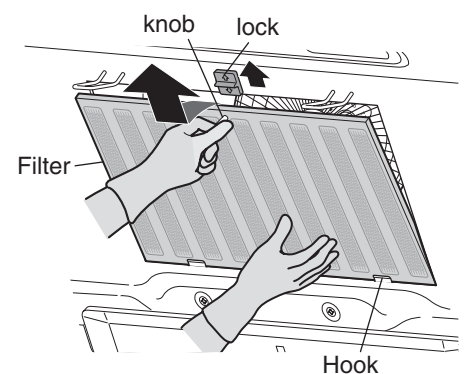
Make sure that the rectifier panel is locked securely. It may be a cause of dropping if not locked firmly.



Filter

■ Detaching

Slide the lock upwards while holding the filter knob to remove it. Lift out the filter moving it upwards while supporting it with your hand so that it does not fall, then detach it from the two hooks at the bottom of the main unit.

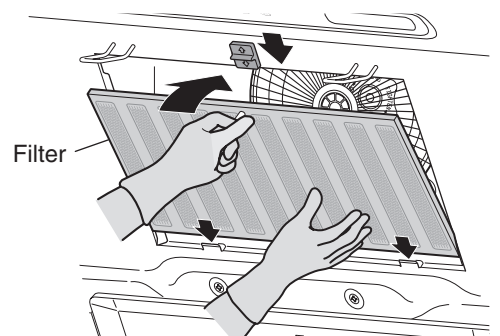


■ Attaching

Insert the main unit hooks into the lower side of the filter, then push the upper side of the filter onto the main unit. Slide the lock downward to affix the filter in place.

Note

Be sure to hold the filter with hand when removing it. Otherwise, it may drop and result in injury.



Cleaning

Hood body

When cleaning, use a neutral detergent and soft cloth.

Do not use an organic solvent. After cleaning, wipe the hood well with a wet cloth dipped in water to remove any remaining detergent, and finally thoroughly wipe any moisture off using a dry cloth.

Oil tray/Rectifier panel/Filter

When cleaning, use a neutral detergent and soft cloth.

Do not use an organic solvent. After cleaning, wash off with water to remove all remaining detergent, and finally thoroughly wipe any moisture off using a dry cloth.

Note

When cleaning the rectifier panel, perform it on a flat surface in order not to deform it.

Fan

As for cleaning of the fan, please consult Fujioh/Agent.

Other Information

Specifications

FR-SC1770/90/11(ventilating)

Rated Voltage (V)	Speed	Frequency (Hz)	Power Consumption (W)	Air Flow (m ³ /h)	Sound (dB)
220	Hi	50	160	700	55
	Med	50	125	625	52
	Low	50	85	460	45
230	Hi	50	170	705	55
	Med	50	135	635	53
	Low	50	95	485	46
240	Hi	50	180	710	56
	Med	50	140	650	53
	Low	50	100	510	47

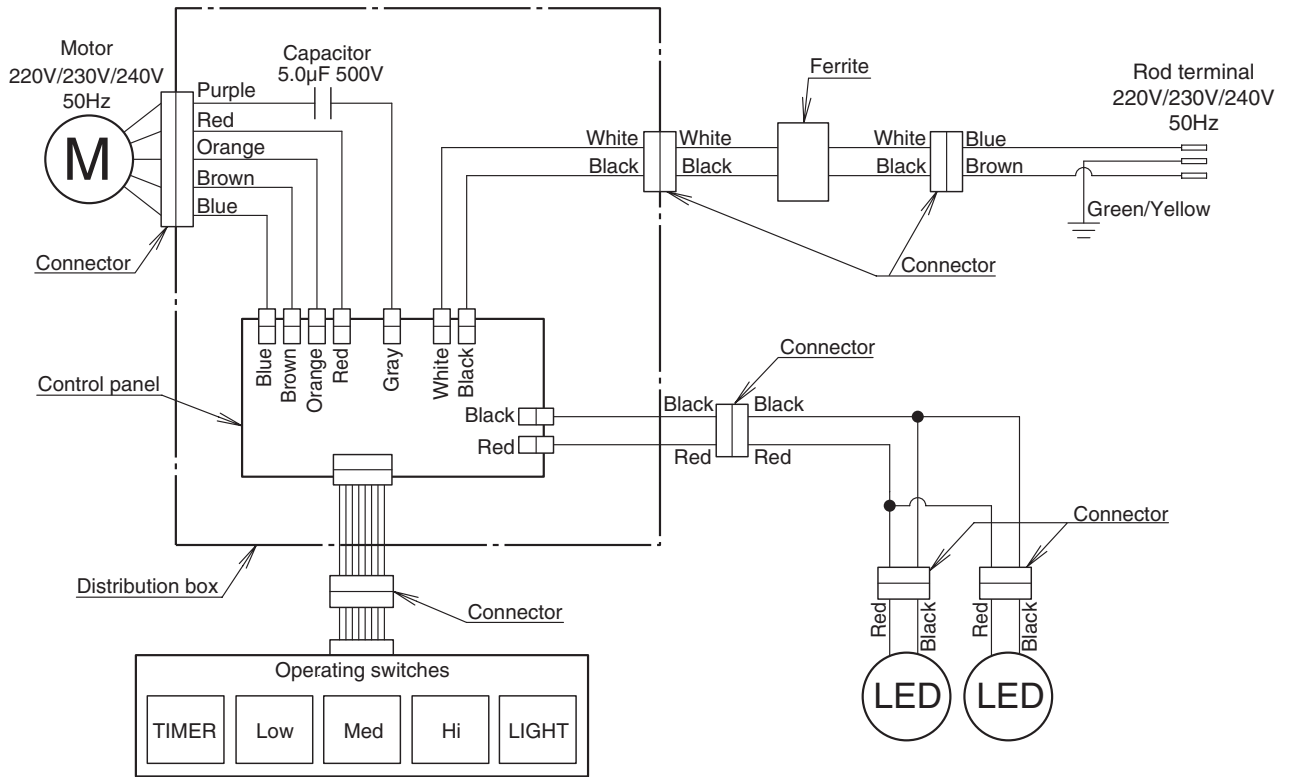
* with 3 watts for lamp

with recycling unit (optional)

Rated Voltage (V)	Speed	Frequency (Hz)	Power Consumption (W)	Air Flow (m ³ /h)	Sound (dB)
220	Hi	50	160	495	52
	Med	50	125	470	51
	Low	50	90	395	46
230	Hi	50	170	500	52
	Med	50	135	475	51
	Low	50	95	410	47
240	Hi	50	180	505	52
	Med	50	140	480	51
	Low	50	100	420	48

* with 3 watts for lamp

Circuit Diagram



Service and Warranty

When requesting after sales service:

- If any abnormality occurs while the cooker hood is in operation, switch off the cooker hood to run, check the following points, disconnect the power plug from the receptacle and consult the shop from which you have purchased your cooker hood.

(1) Whether the fuse in the circuit breaker has been burnt out?

(2) Whether the power plug is not in proper contact with the receptacle?

When consulting the shop, inform the shop the type/model of cooker hood requiring repair and the date when it was purchased.



- The minimum retention period of performance parts for repairing the cooker hood is 5 years after termination of manufacturing of the cooker hood.

The performance parts refer to those parts for required to maintain the functions of a cooker hood. However the same kinds of repair parts or interchangeable parts will be supplied for 4 years thereafter. If the functions can be maintained when repaired, we are willing to repair when ordered by you.

- *The parts used on the cooker hood are subject to partial change without prior notice owing to improvement of performance.*

Global Website
www.fujioh.com

FUJIOH INTERNATIONAL TRADING PTE.LTD.

Southeast Asia Regional Headquarters

130 Joo Seng Road #05-05 Singapore 368357

Tel : (65) 6286 3286 Fax : (65) 6285 3285

E-mail : fit@fujioh.com.sg

吸 油 烟 机

FR-SC1770/90/11

安 装 及 操 作 手 册



目 录

安全注意事项	2~5	维 护	13~15
使用须知	5	维护注意事项	13
准 备	6~7	分离 / 安装要清洗部件	13~14
部件名称	6	清 洁	15
操作按键	7	其他信息	15~17
安 装	8~12	规 格	15
安装前的准备和检查	8~10	电 路 图	16
安装吸油烟机	10~12	修 理 与 保 修	17
运行检查	12		

敬告零售店及安装单位：
在安装施工结束后，务必请
将本使用说明书呈交顾客。

感谢购买本公司吸油烟机。
安装 / 操作吸油烟机之前，请通读此说明书。
阅读后，请妥善保管此说明书。

1F02 2181



* 1 F 0 2 2 1 8 1 *

安全注意事项

- 安装及使用本产品前，应阅读以下安全注意事项，以便正确、安全地安装吸油烟机。
- 这些安全注意事项旨在正确安装本产品，以防对自己或他人造成危险或伤害。根据危险性和损害程度，安全注意事项分为“警告”和“注意”两个等级。由于这些注意事项对于安全至关重要，因此务必加以注意并严格予以遵守。



警告

表示会导致重大人身伤亡。



注意

表示会导致人身伤害或物品损坏。

安全注意事项

警告



4 眼炉灶以下
(7.0kW)

- 如果在超过 4 眼炉灶或燃烧灶炉的上部安装吸油烟机，总功率不可超过 7.0kW



严禁拆卸、
修理或改动

- 切勿自行拆卸、修理或改动。
应请合格技术人员进行操作，否则可能造成火灾、电击或异常情况。



禁止使用

- 电压超过 220V/230V/240V AC 的地方禁止使用。
否则可能造成火灾或电击。



注意组装

- 必须由专业安装人员正确布线。
布线不当可能造成漏电或火灾。



注意安装

- 应至少由 2 人进行安装工作。
吸油烟机的重量约为 19kg (FR-SC1770), 21kg (FR-SC1790), 23kg (FR-SC1711)。



拔下电源
插头

- 保养和维护时，务必从插座上拔下电源插头，或关闭断路器开关。
此外，请勿用湿手接触电源插头或断路器。
否则会导致电击或人身伤害。



擦除灰尘

- 应经常清洁电源插头，以免灰尘积聚。
否则会导致火灾。



严禁喷水

- 严禁向任何电子部件喷水。
否则会造成火灾或电击。



严禁操作

- 煤气泄漏时，严禁操作吸油烟机的开关。
否则会造成煤气爆炸。



注意通风

- 选择通风良好的位置进行安装。
使用自然排气式炉具等时，如果通风换气不良会造成一氧化碳中毒。



注意通风

- 在多种器具燃烧煤气或其他燃料的情况下使用吸油烟机时，
应使室内保持良好的通风状况。

警告



注意调节

- 必须进行排气管调节。



要求监督

- 体质虚弱者、感官能力或精神状况较差者（包括儿童），或缺乏经验和知识者不宜使用本产品，除非有专人负责其安全并为其提供与本产品使用相关的监督或指导。应对儿童加以监管，切勿让其玩弄本产品。



经常清洁

- 如果未按说明进行清洁，可能会引发火灾。



严禁烧烤

- 禁止在吸油烟机下方烧烤食品。

注意



注意安装

- 选择坚固的位置，牢固安装本产品。否则机体掉落将会造成伤害。



严禁注入空气

- 不得向用于排烟（从使用煤气或其他燃料的器具中产生的废气）的烟道注入空气。



注意安装

- 煤气灶上烹饪器具的支撑面与吸油烟机最低部分之间的最小距离。当吸油烟机位于煤气灶上方时，此距离应保持在 445mm 以上。如果煤气灶的安装说明书规定有较大的间距，则必须将其考虑在内。



捏住电源插头的端部拔掉插头

- 断开电源时，应捏住电源插头的端部将插头拔掉，不要拽拉电线。否则会使电线受损，并可能引起火灾或电击。



拔下电源插头

- 长时间不使用时，务必将电源插头从插座上拔下或关闭断电器开关。否则会造成绝缘性能受损，并可能引起火灾或电击。



禁止使用

- 切勿在浴室等潮湿的场所使用本产品。（请使用浴室专用换气扇。）否则可能造成火灾或故障。



注意组装

- 要确实地安装好取下的部件。否则部件掉落会造成伤害。



注意组装

- 必须根据有关标准或规定安全布设电线。布线不当会造成火灾或电击。



禁止接触

- 使用烹饪用具时，吸油烟机周围部件会变热，不要在烹饪过程中接触过滤网和周围的部件。否则会使过滤网或部件脱落，造成烫伤或其他伤害。



禁止接触

- 吸油烟机运转时，切勿将手指或其他物品插入其中。否则会造成故障或伤害。

⚠ 注意

安全注意事项



严禁操作

- 油锅着火时应立即关闭吸油烟机的电源。否则会助长火势，造成危险。



禁止放置物品

- 请勿在吸油烟机上放置任何物品。否则会造成火灾、故障，或因物品掉落而造成伤害。



戴工作手套

- 清洗和维护时务必戴上工作手套。否则会被尖锐的边角划伤。



更换受损的电源线

- 如果电源线受损，必须由制造商、服务代理机构或同等资格的人员予以更换，以免造成危险。



禁止放置物品

- LED 灯发光时，请勿直视，以免对视力造成损伤。



注意

- 当油达到油杯 1/2 时，请及时清理，以防拆除油杯时废油溢出或滴落。



注意安装

- 安装时请务必使用本产品附带的挂钩及塑料膨胀管（混凝土墙面时），以防产品的掉落。



注意安装

- 为防止产品掉落，使用塑料膨胀管时，请配用相应规格的钻头，并尽量使二者间无间隙。



注意

- 必须说明器具排出气体的方法。

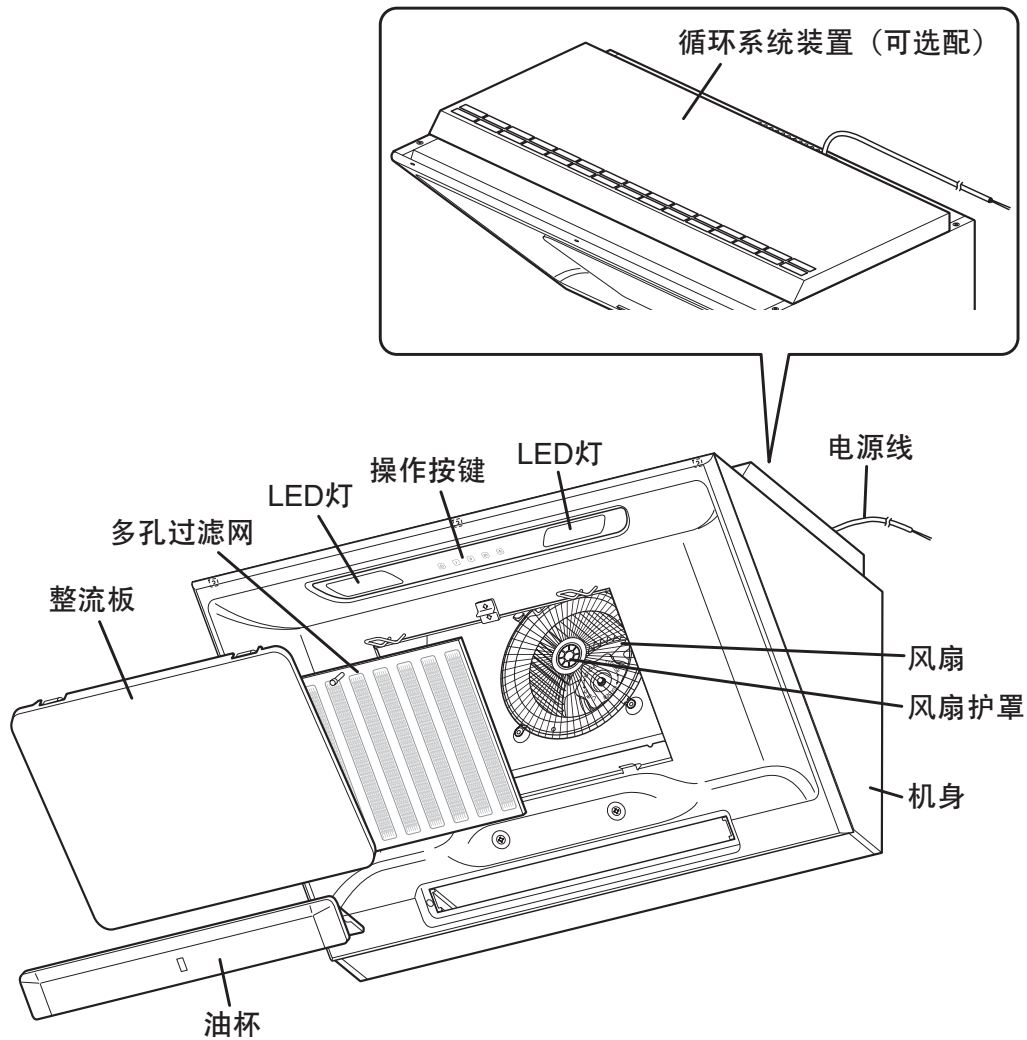
使用须知

- **使用烹饪器具时，务必运行吸油烟机。**
否则，吸油烟机可能会因温度增高而造成损坏或故障。
- **请勿在未放置任何器具的情况下使用煤气灶。**
否则，机身可能会因受热而造成故障。
- **防止空调直接吹风。**
否则，其吸油烟性能可能会降低。
尤其是当使用电磁炉时，由于上升气流较弱，吸油烟机便很容易在开阔的空间中受到影响。
- **使用电磁炉时，吸油烟机的吸油烟性能可能会因侧风的影响而削弱。**
此外，如果在低温条件下使用吸油烟机，则其表面会结露。
此时，应将吸油烟机擦干后再使用。
- **在吸油烟机运行过程中，应注意保持良好的通风环境。**
在吸油烟机对面的墙体上应留有足够的进风口，或将房间的门稍稍打开。
否则，吸油烟性能可能减弱，或可能产生异常噪音 / 振动。
- **热水器应与吸油烟机保持 500mm 以上的距离。**
由于热水器周围温度较高，因此应与吸油烟机保持 500mm 以上的距离。
切勿将吸油烟机安装在热水器的上方。
否则，吸油烟机可能会因温度增高而造成损坏或故障。
- **请勿在整流板拆下的情况下使用吸油烟机。**
否则，吸油烟性能可能因此而降低。

■ 准备

部件名称

准
备



装箱清单

名称	用途	数量
主机	—	1
排气口	连接主机同排气管	1
软密封带	密封排气口同排气管	1
垫圈木螺丝 (Ø5.1×45)	安装主机	4
模式图纸	安装主机	1

操作按键

风量切换按键

按下此键切换风量。

按下此键后，按键灯亮起。



(低档)：油烟量较少时。希望静音运转时。



(中档)：普通运转。



(高档)：油烟量较多时。希望快速换气时。



延时切换按键

延时切换按键

通常情况下，按下此按键切换延时运转。

延时按键灯闪烁，风扇以原有的风量继续运转约3分钟后自动停止。

延时运转3分钟，可缓解烹饪后的异味及黏在风扇上的油垢。

* 延时运转停止后照明不会关闭。

按照照明切换按键关闭照明。

* 按下风量切换按键，可取消延时运转。



照明按键

用于开启及关闭照明。

■ 安 装

安装前的准备和检查

⚠ 注意

1. 安装吸烟机时应小心谨慎，以免接触建筑物的金属部件（墙壁等构件内部的金属网）。
2. 切勿将吸烟机的机身埋于墙壁之中，否则会造成机身漏电。
3. 不得向用于排烟（从使用煤气或其他燃料的器具中产生的废气）的烟道注入空气（不适用于仅向室内通风的器具）。
4. 煤气灶上烹饪器具的支撑面与吸油烟机最低部分之间的最小距离。当吸油烟机位于煤气灶上方时，到吸油烟机下端的距离应保持在 **445mm** 以上。
如果煤气灶的安装说明书规定有较大间距，则必须将其考虑在内。
5. 使用宽度小于吸油烟机的煤气灶。
6. 请勿对本产品进行改装。例如：改换按键。
7. 请勿将吸油烟机安装在潮湿的地方或潮湿的房间中，否则会造成电击或损害。
8. 请勿将吸油烟机安装在环境温度超过 **40℃** 的地方，否则会造成故障。
9. 安装吸油烟机时，要戴好工作手套，以免伤及双手。
10. 如果电源线受损，必须由制造商、服务代理机构或同等资格的人员予以更换，以免造成危险。

检查安装表面的强度

安装表面必须有足够的强度来支撑吸油烟机。

应将吸油烟机安装在能够牢固持久地支撑其重量的位置。

[产品重量 19kg (FR-SC1770), 21kg (FR-SC1790), 23kg (FR-SC1711)]

■ 在板墙上安装

- 如果墙壁的厚度超过 20mm，可直接在墙壁上安装吸油烟机。
- 如果墙壁的厚度小于 20mm，应埋入增强板，再将吸油烟机安装于此板上。

■ 在混凝土墙 / 瓷砖墙上安装

- 请使用随机附带的塑料膨胀管。

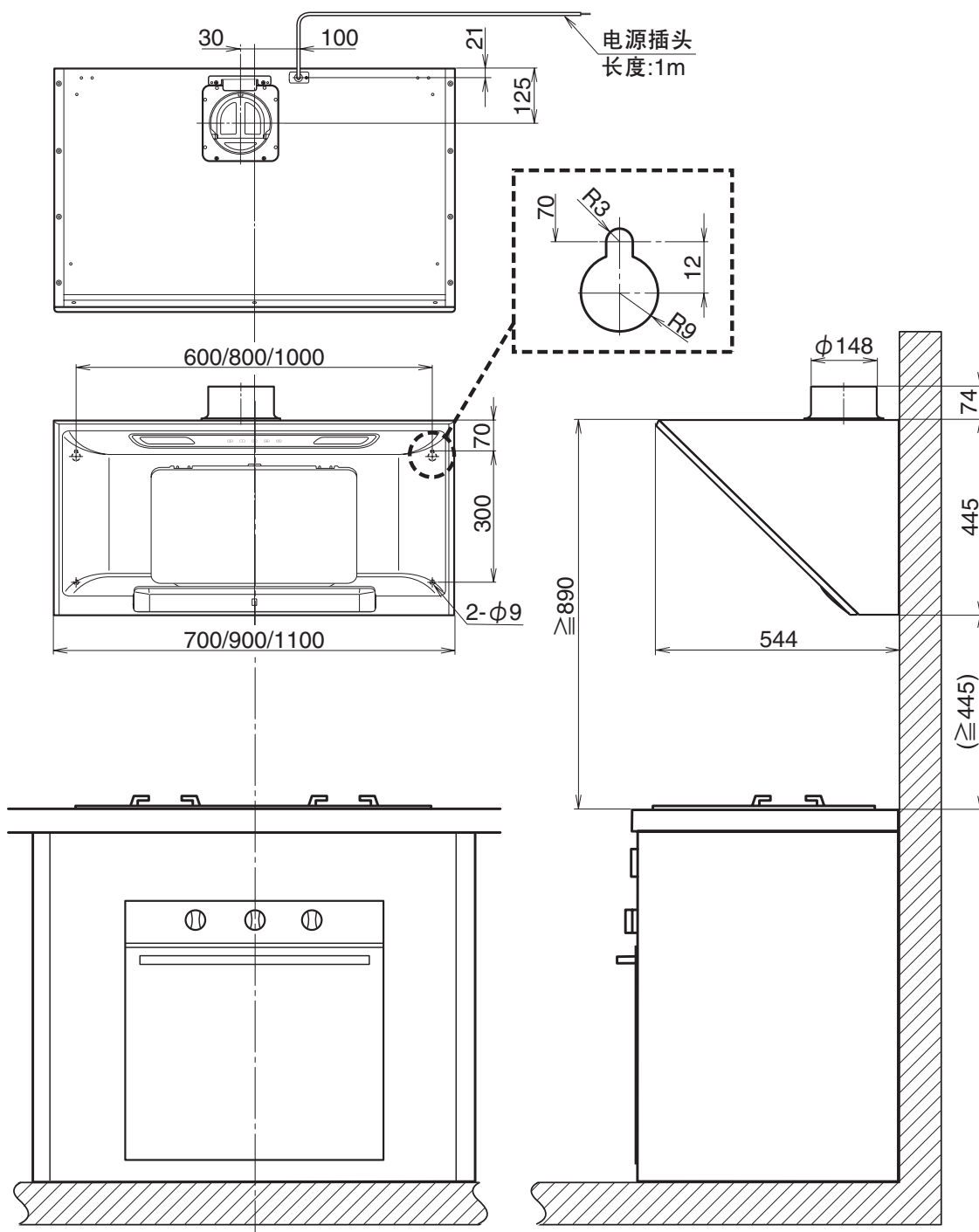
电源插头

- 本产品不包括电源插头。请有资格的技术人员接好电源插头与电源线。
- 务必使用吸油烟机专用的墙壁插座。

检查附件

从包装盒中取出主机和附件，检查附件是否齐全。

确认安装位置 (单位：mm)



安装排气口

使用另选配的循环系统装置时，无需使用排气管。

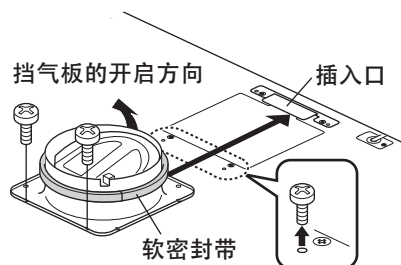
* 请阅读安装手册，其中有更多另选配装置的信息。

安装螺丝附于顶板上。

将排气口插入吸油烟机顶部的插入口，

再用 2 颗安装螺丝加以固定。

再围着排气口缠好附带的软密封带。



安 装

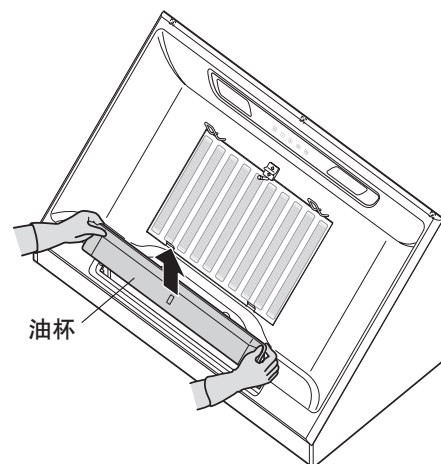
注意

安装排气口时，应注意挡气板的开启方向。如果安装有误，可能会造成排气不畅、异常噪音等。

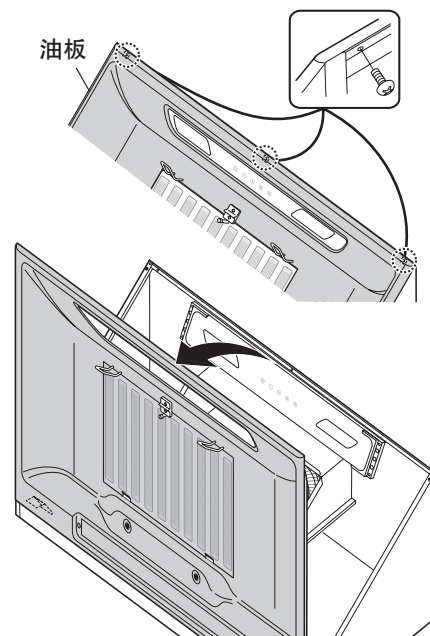


安装吸油烟机

1) 拆下油杯。

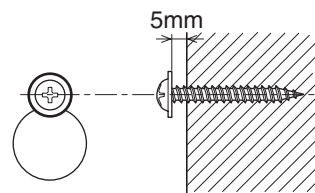


2) 拆下装置顶部固定油板用的 3 颗螺丝，再拆下油板。



- 3) 参考附带的模式图纸，将垫圈木螺丝（5.1×45）拧入安装墙面，用于安装支架的左右锁孔。

墙面和螺丝顶部间应留有 5mm 的间隙，用于搭挂吸油烟机。

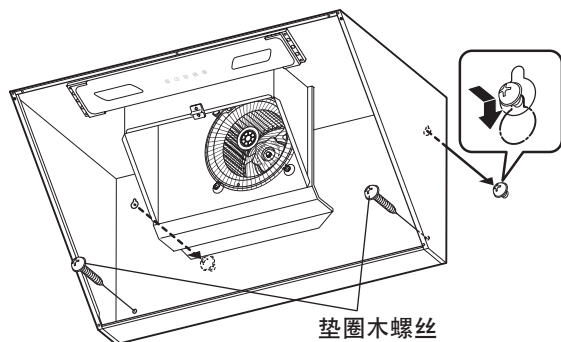


注意

安装时请用合适的附件（参阅 6 页）。

- 4) 将油烟机的锁孔搭挂在已安装的垫圈木螺丝上，拧紧螺丝。

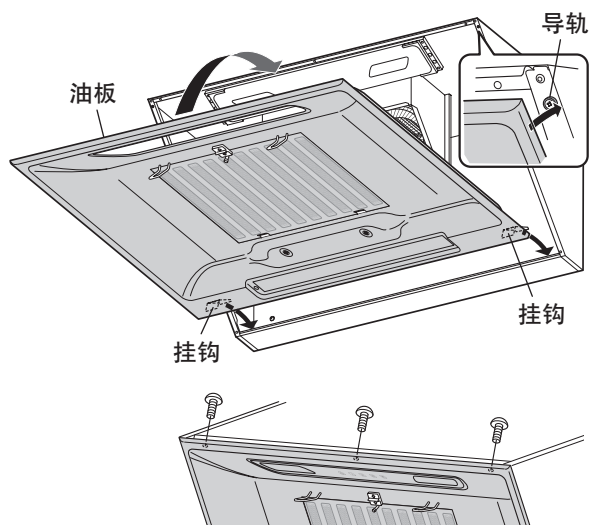
- 5) 将 2 根垫圈木螺丝插入吸油烟机下部，转动锁孔，使其开口朝上以便固定机体。



**安
装**

- 6) 安装油板

将油板下部的 2 个挂钩搭挂在吸油烟机装置上，抬起油板，使其与导轨成一线对齐。用步骤 2 中拆下的 3 颗螺丝将油板固牢。



注意

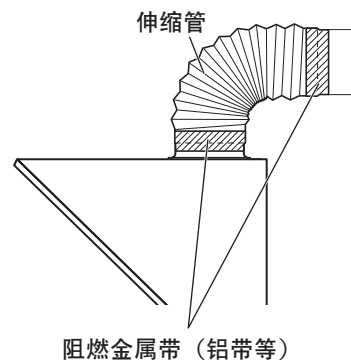
请用力按紧油板，以防其掉落。

- 7) 使用另选配的循环系统装置时，无需这些步骤。请继续 12 页的步骤 8)。

* 请阅读安装手册，其中有更多另选配装置的信息。

连接 150 伸缩管等到排气口。

用阻燃密封带、如铝带等（不提供）密封保证排气口的安全。



注意

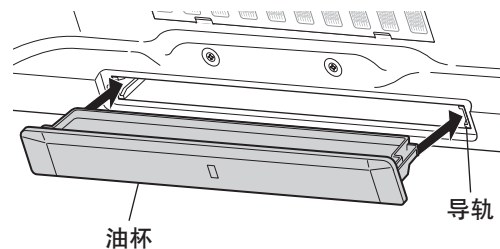
伸缩管越长，排气性能越低。

8) 事先安装油杯

将油杯两端与安装部分导轨对齐，深推油杯使其完全插入。

注意

根据您使用的烹饪频率不同，短时间内可能没有集油（并非异常或故障）。

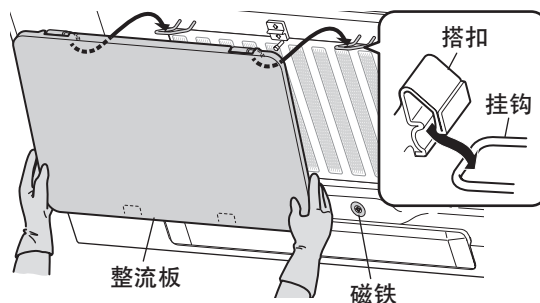


9) 安装整流板

将整流板上的搭扣牢牢地搭挂在主机的挂钩上。
整流板会吸附在位于主机底部的两个磁铁上。

注意

为避免因固定不足而引发的部件脱落，请务必保证整流板被坚实固定。



运行检查

- 1) 请安装随机附带的油杯。
 - 2) 打开断电器、检查油烟机是否正常运行。
- 本吸油烟机运转时，各档风扇是否正常工作。
 - 是否发出异常噪音及异常振动。

■ 维护

由于吸油烟机很容易积攒油污，因此应经常清洁吸油烟机（尤其是多孔过滤网，应至少每月清洁一次）。对于每天做两顿饭的4到5口家庭而言，应至少每两周清洁一次过滤网。如果吸油烟机长时间不清洁，将会积聚大量油污，形成很难去除的油脂硬块。

维护注意事项

- 清洁吸油烟机前，务必从插座上拔下电源插头，或关闭断电器。
- 为安全起见，清洁过滤网等部件时，应始终戴好橡胶手套。
- 严禁将水泼到电动机、开关、接插件之类的电气部件上。
- 请勿在电气部件上喷洒任何类型的洗涤溶液。否则会造成故障。
- 请勿用诸如稀释剂之类的溶剂、汽油、抛光粉等清洁油漆表面、护面板等，否则会使这些部件失去光泽或造成刮痕。
- 请勿用硬毛刷之类的物品清洗各部件，否则会使部件受损。

分离 / 安装要清洗部件

请按照与拆卸时相反的步骤对各个零部件进行安装。

油杯

■ 分离

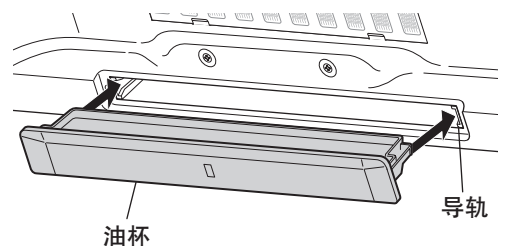
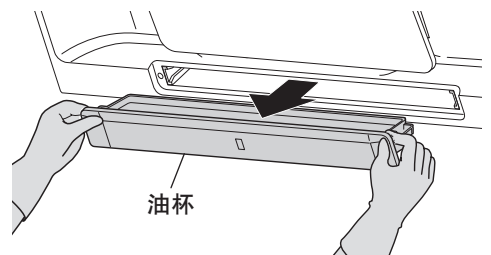
稳固地抬起油杯两端，保持其水平态直接拉出。

注意

根据您使用的烹饪频率不同，短时间内可能没有集油（并非异常或故障）。

■ 安装

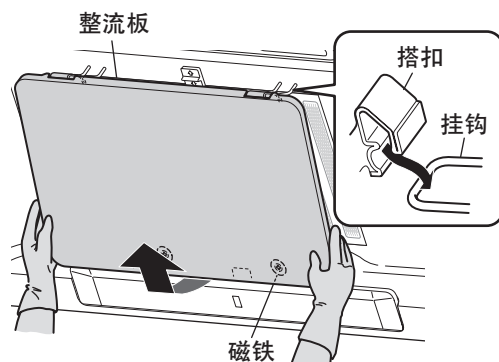
将油杯两端与安装部分导轨对齐，深推油杯使其完全插入。



整流板

■ 分离

- 1) 双手牢牢握住整流板、直接拉动，整流板会从固定磁铁上脱离。
- 2) 稍稍抬起整流板，使整流板的搭扣与挂钩分离。



注意

- 进行保养和维护时，小心勿使整流板的挂钩和搭扣变形。否则，可能无法正确安装整流板。
- 为防止整流板掉落，应用双手将其握紧。否则，可能会因整流板脱落造成人员受伤、部件开裂或弯曲等。
- 清洁整流板时，务必将其从主机上拆下。否则，会因整流板脱落造成人员受伤、部件损坏等。

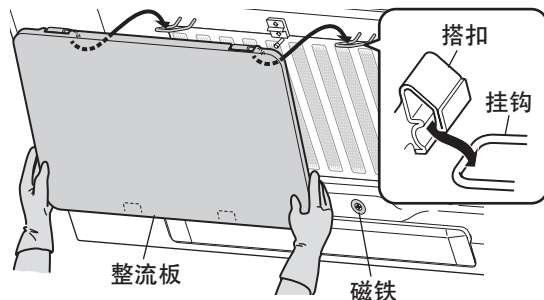
■ 安装

整流板安装

将整流板上的搭扣牢牢地搭挂在主机的挂钩上。
整流板会吸附在位于主机底部的两个磁铁上。

注意

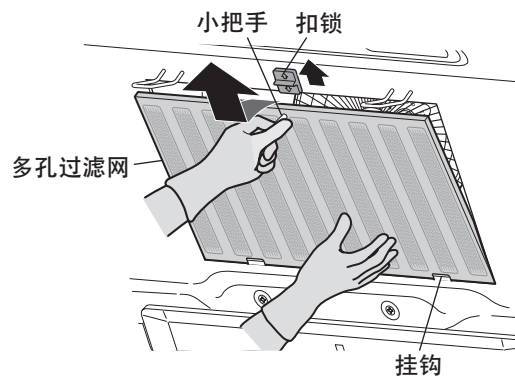
为避免因固定不足而引发的部件脱落，
请务必保证整流板被坚实固定。



多孔过滤网

■ 分离

向上滑动扣锁，同时握住过滤网的小把手将其拆下。
向上抬起过滤网，为防止其脱落同时用手握住，
再从主机下部的2个挂钩处拆下。



■ 安装

将主机挂钩插入过滤网下部，再将过滤网上部推入主机。
向下滑动扣锁，将过滤网固定到位。

注意

拆卸时，务必用手握住多孔过滤网。
否则，可能会因其脱落造成人员受伤。



清洁

机身

请使用中性洗涤剂和软布清洁。

请勿使用有机溶剂。洗净后，用蘸水湿布仔细擦净机体罩以避免洗涤剂的残留，最后再用干布认真擦净水渍。

油杯 / 整流板 / 多孔过滤网

请使用中性洗涤剂和软布清洁。

请勿使用有机溶剂。洗净后，请用清水仔细洗净以避免洗涤剂的残留，最后再用干布认真擦净水渍。

注意

应在平坦的表面清洁整流板，以免发生变形。

风扇

风扇清洁，请咨询富士皇 / 代理商。

其他信息

规格

FR-SC1770/90/11 (排气型)

额定电压 (V)	档位	额定频率 (Hz)	消耗功率 (W)	风量 (m ³ /h)	噪声 (dB)
220	高档	50	160	700	55
	中档	50	125	625	52
	低档	50	85	460	45
230	高档	50	170	705	55
	中档	50	135	635	53
	低档	50	95	485	46
240	高档	50	180	710	56
	中档	50	140	650	53
	低档	50	100	510	47

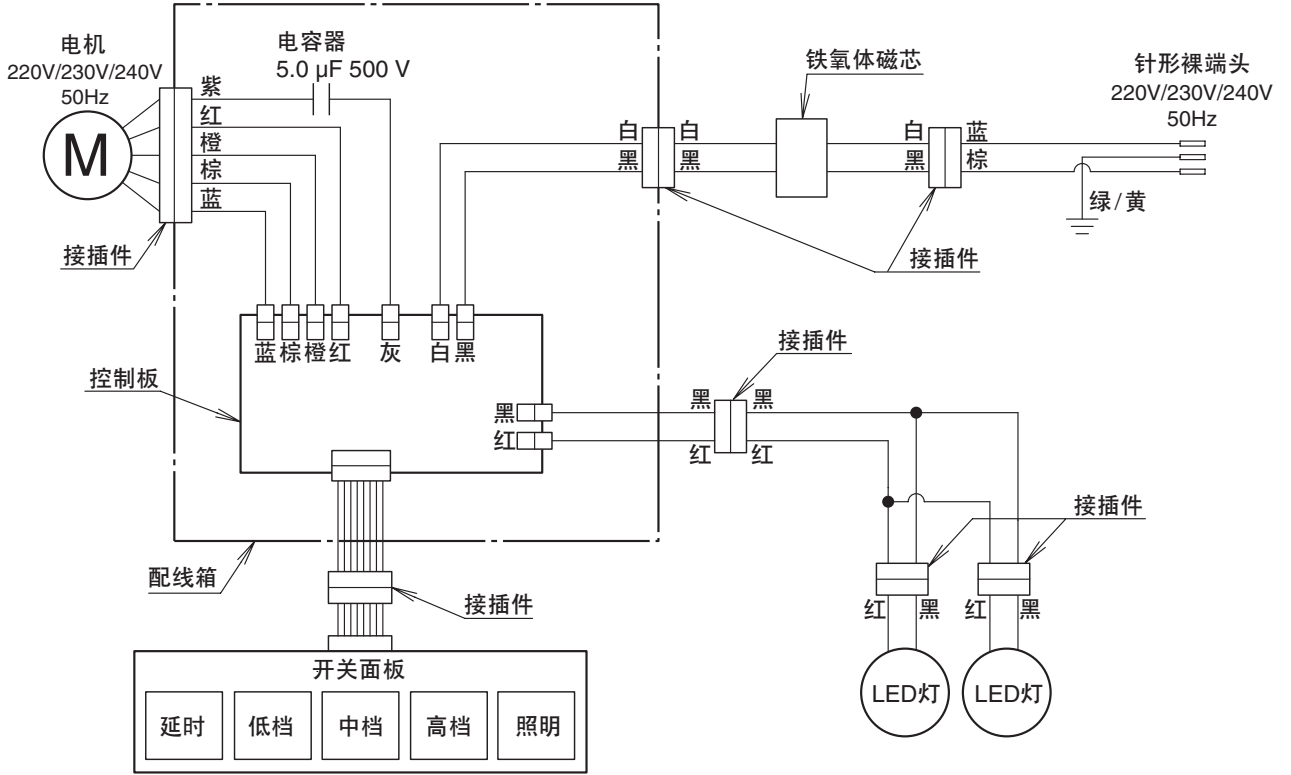
* 消耗功率含照明灯 3W

使用循环系统装置 (循环型 / 可选配)

额定电压 (V)	档位	额定频率 (Hz)	消耗功率 (W)	风量 (m ³ /h)	噪声 (dB)
220	高档	50	160	495	52
	中档	50	125	470	51
	低档	50	90	395	46
230	高档	50	170	500	52
	中档	50	135	475	51
	低档	50	95	410	47
240	高档	50	180	505	52
	中档	50	140	480	51
	低档	50	100	420	48

* 消耗功率含照明灯 3W

电路图



其他信息

修理与保修

申请维修：

在操作过程中如果发生异常，应立即关掉吸油烟机进行检查：

- 1) 保险丝是否熔断了？
- 2) 电源插头与插座的连接是否正确？

若确认不是上述问题，请立即拔下电源插头，与当初购买本机时的销售商联系。
与销售商联系时，需说明产品型号及购买日期。



- 本型号机停止生产后仍可提供维修所需性能部件的最低保证期为 5 年。

性能部件是指维持吸油烟机正常使用功能所必需的基本部件。

对于相同类型可互换部件的提供保证期可再延长 4 年。

在对使用不产生影响的前提下，我们将按照您的要求选用这些部件进行维修。

- 为提高吸油烟机性能，有可能在不预先通知的情况下进行产品部件的更新。

全球网站

www.fujioh.com

FUJIOH INTERNATIONAL TRADING PTE.LTD.

东南亚地区总部

130 Joo Seng Road #05-05 Singapore 368357

Tel : (65) 6286 3286 Fax : (65) 6285 3285

E-mail : fit@fujioh.com.sg